



Engineered to be the fastest

SSX823

MAKE SURE YOU HAVE THE
LATEST VERSION OF THIS
INSTRUCTION MANUAL

10-2022-V4

INSTRUCTION MANUAL

C-00133

RECOMMENDED ACCESSORIES

DYNOSPEED VELOX 805



C-61302 Dynospeed VELOX 805
1/8 Sensored 4-Pole Brushless Motor -
On-Road 1/8 - 1950 KV

CONTROLLER "REVOC PRO 160"



C-53011 Revoc II XTR 160
Black - Silver Color - 2-6S Esc For Sen-
sored And Sensorless Motors - 160A

VOLTAX 120C / HV



C-49523 Voltax 120C
LiPo Battery - 8000mAh - 7.4V - 2S
C-49623 Voltax 120C HV
LiPo Battery - 8000mAh - 7.6V - 2S

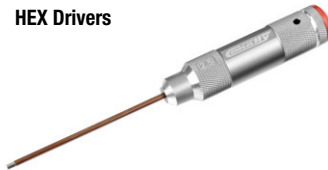
CHEMICAL



C-13094 Lock-It
- Soft
C-13090 Stick-It
- CA Glue -
Thin
C-82700 Lithium Grease
- 25gr

RECOMMENDED TOOLS

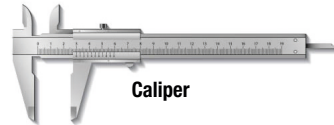
HEX Drivers



C-16130 Factory Pro Tool - Hex Driver 1.5 mm
C-16131 Factory Pro Tool - Hex Driver 2.0 mm
C-16132 Factory Pro Tool - Hex Driver 2.5 mm
C-16133 Factory Pro Tool - Hex Driver 3.0 mm



C-16161 Factory Pro Tool - Nut Driver 5.5 mm
C-16162 Factory Pro Tool - Nut Driver 7.0 mm
C-16152 Factory Pro Tool - Phillips 5.0mm



Caliper



Cutter Knife - For plastic parts



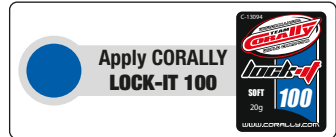
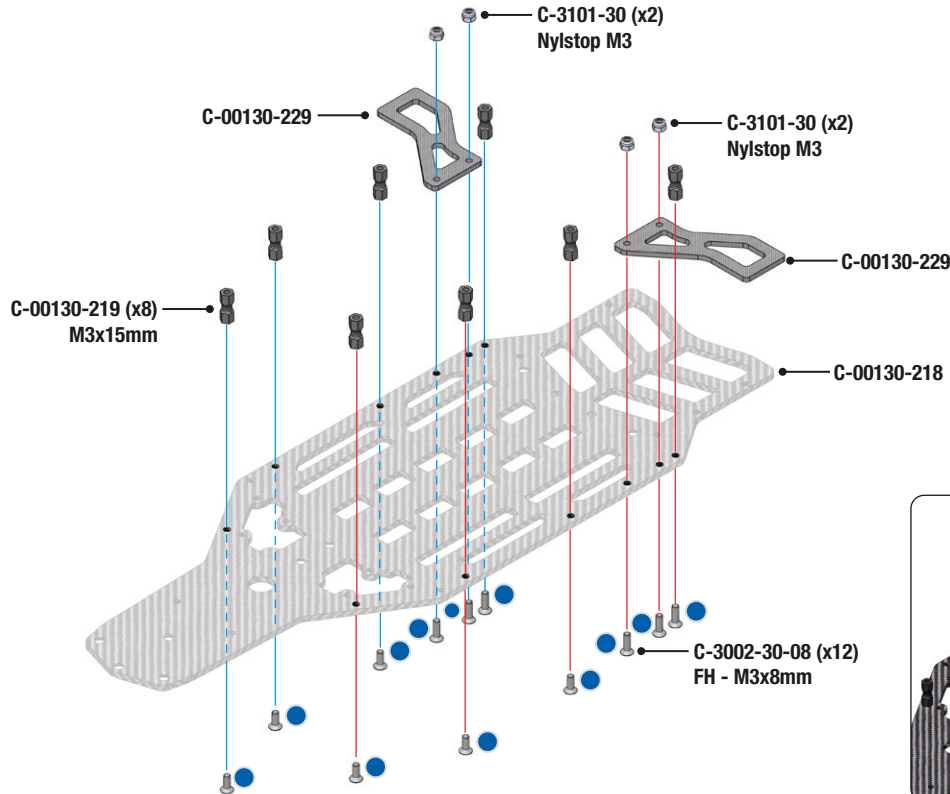
4mm Wrench
For Turnbuckles



Needle Nose Pliers - For circlips



STEP 1

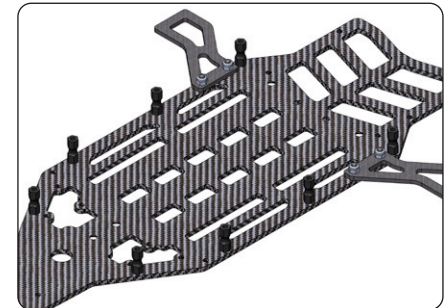


Apply some CORALLY LOCK-IT "SOFT" to secure the screws.

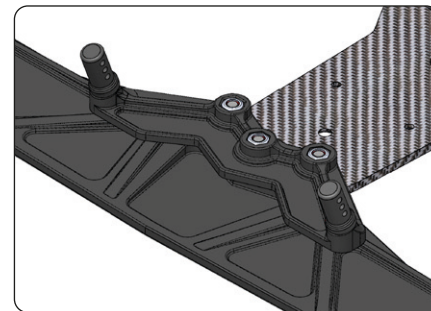
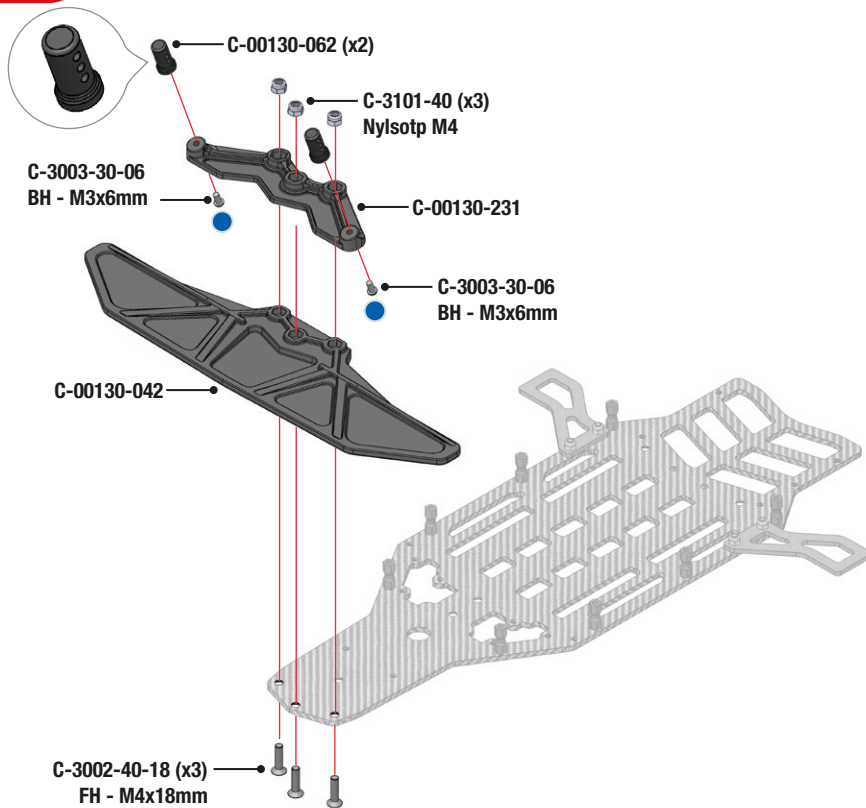
Appliquez un peu de LOCK-IT "SOFT" pour sécuriser les vis.

Breng wat LOCK-IT "SOFT" aan om de schroeven vast te zetten.

Etwas LOCK-IT "SOFT" auftragen um die Schrauben zu sichern



STEP 2



Apply some LOCK-IT "SOFT" to secure the screws.

Appliquez un peu de LOCK-IT "SOFT" pour fixer les vis.

Breng wat LOCK-IT "SOFT" aan om de schroeven vast te zetten.

Etwas LOCK-IT "SOFT" auftragen um die Schrauben zu sichern





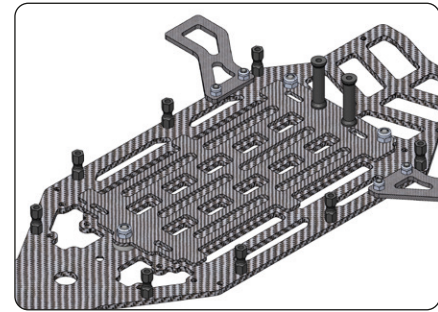
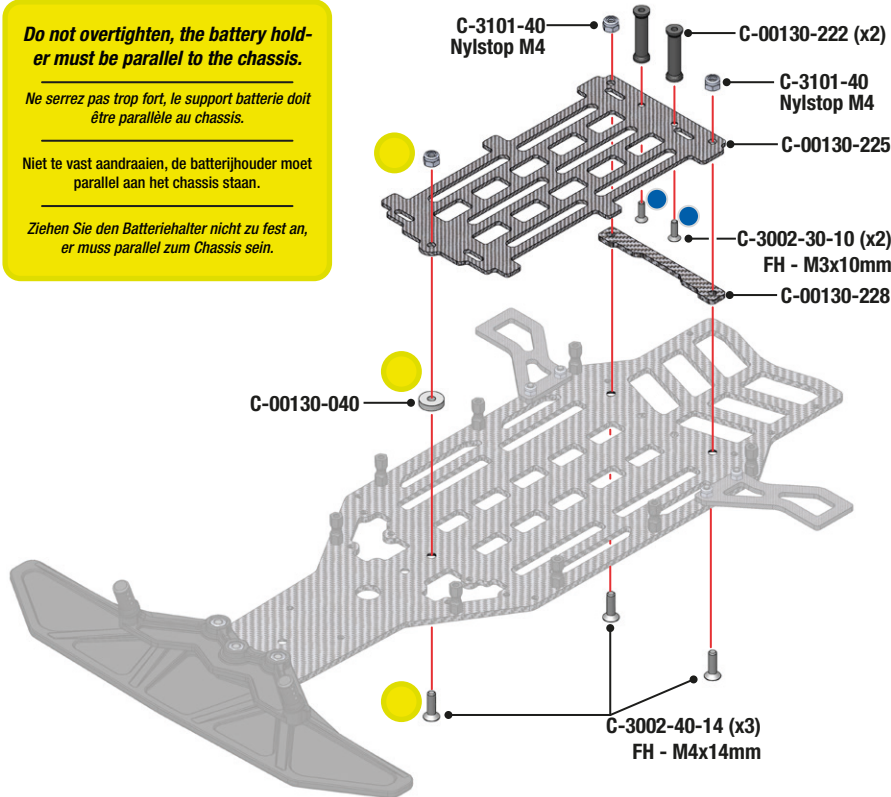
STEP 3

Do not overtighten, the battery holder must be parallel to the chassis.

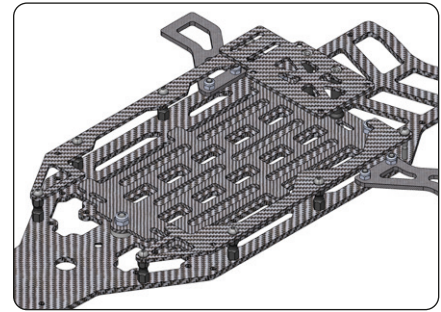
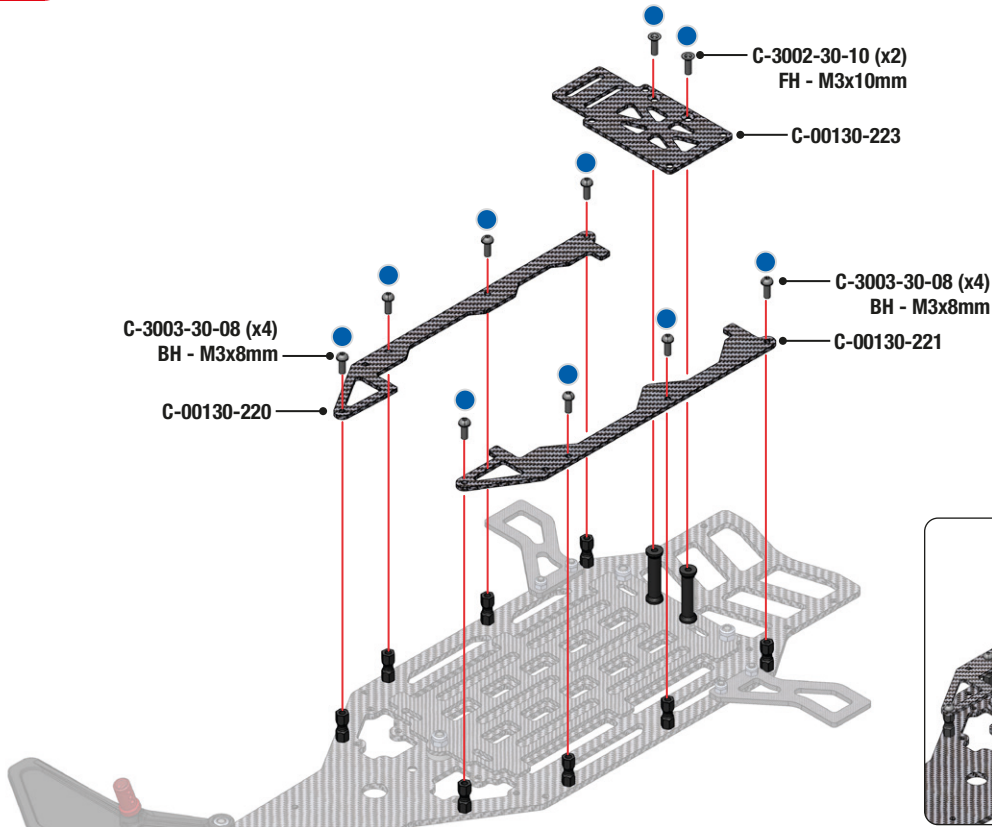
Ne serrez pas trop fort, le support batterie doit être parallèle au chassis.

Niet te vast aandraaien, de batterijhouder moet parallel aan het chassis staan.

Ziehen Sie den Batteriehalter nicht zu fest an, er muss parallel zum Chassis sein.

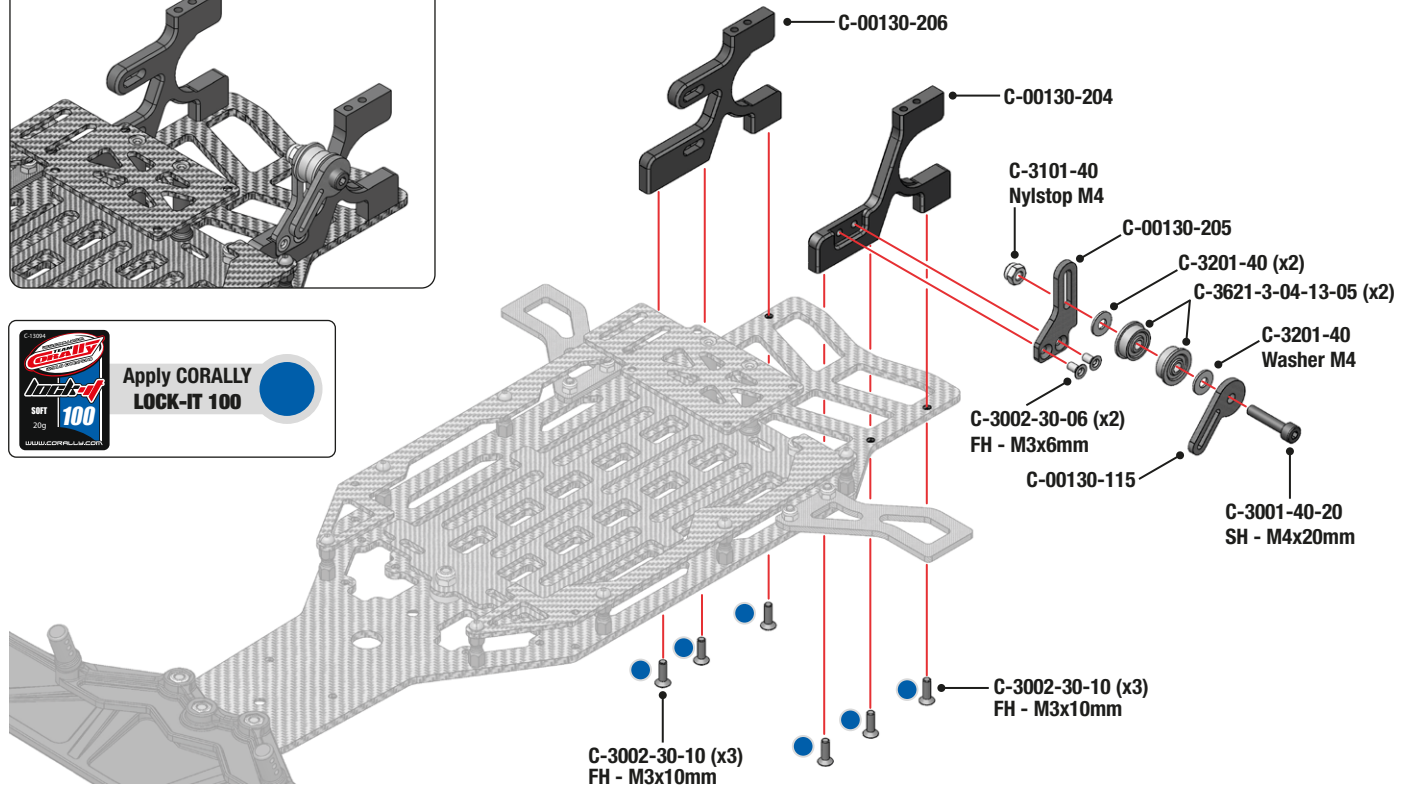
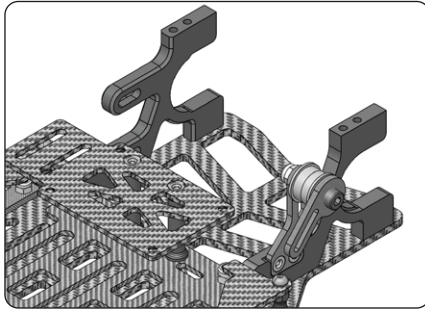


STEP 4

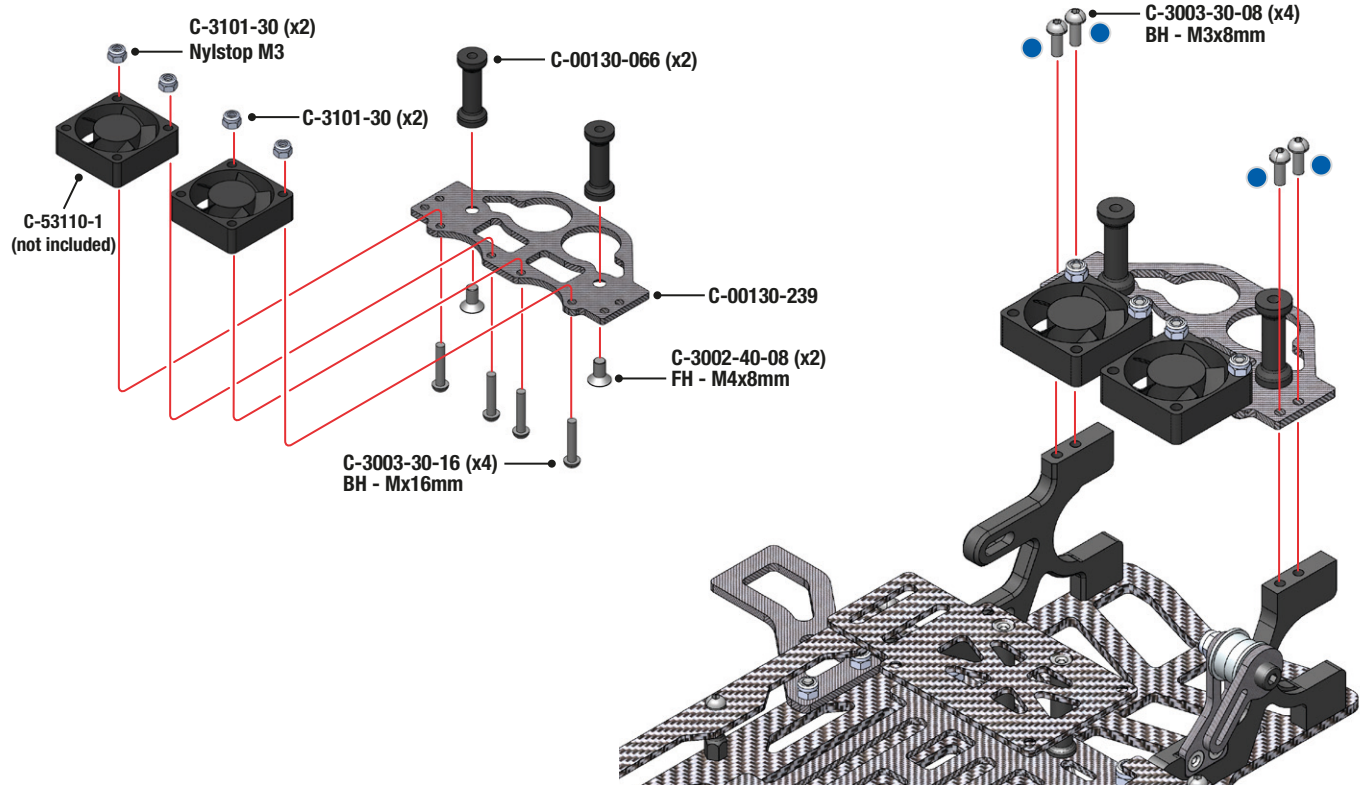




STEP 5

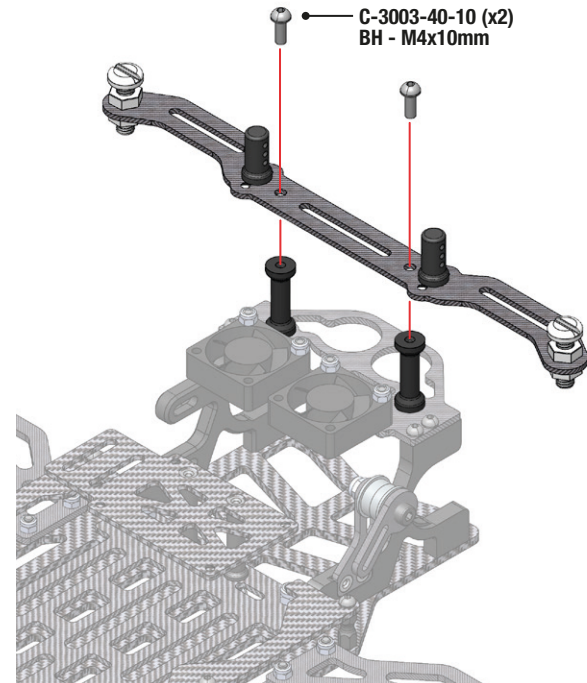
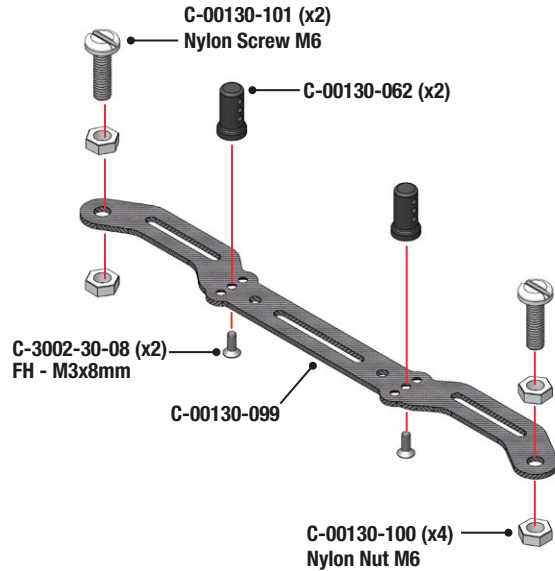


STEP 6





STEP 7



STEP 8

Be careful, the shaft is not symmetrical, measure to know the left and right side.

Attention, l'axe n'est pas symétrique, mesurez pour connaître le côté gauche et droit.

Voorzichtig, de as is niet symmetrisch, meet de linker- en rechterkant.

Achtung, die Achse ist nicht symmetrisch. Messen Sie, um die linke und rechte Seite zu kennen.



C-3611-3-12-21-05 (x2)
Ball Bearing 12x21x5mm

C-00130-050

C-00130-029 (x2)

C-00130-025

C-00130-026 (x2)

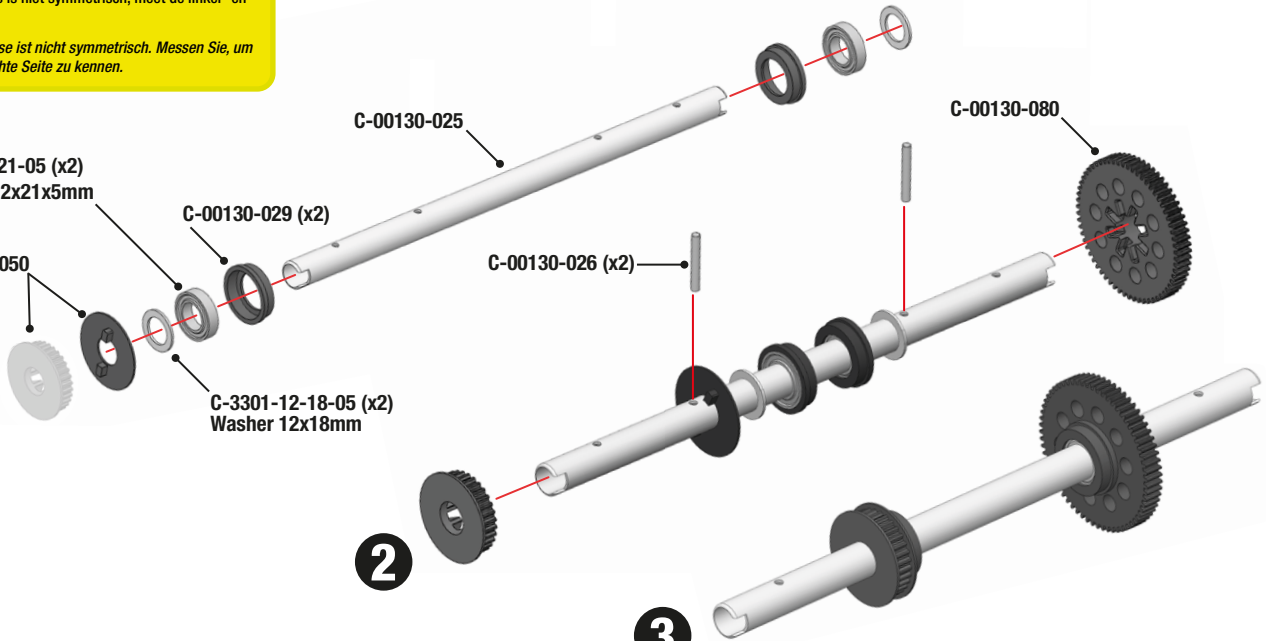
C-00130-080

C-3301-12-18-05 (x2)
Washer 12x18mm

1

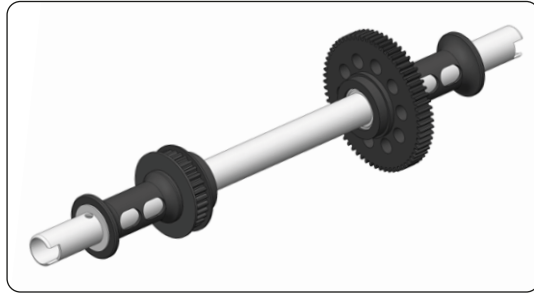
2

3





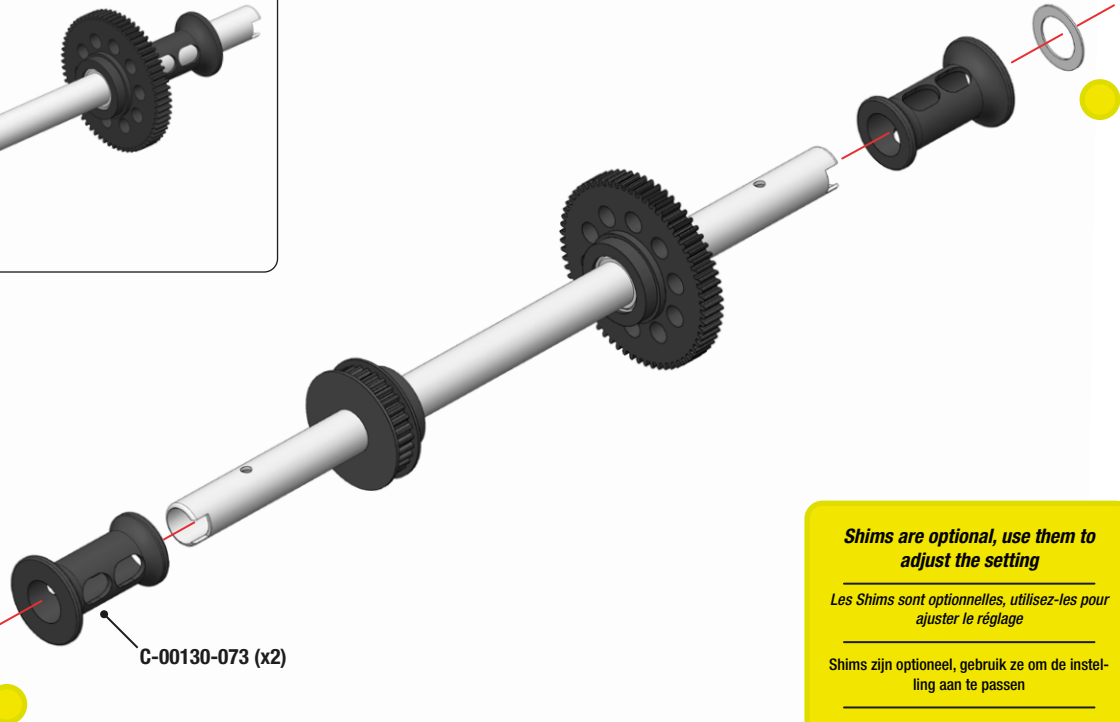
STEP 9



C-3301-12-18-05 (x2)
Shim 0,5mm



C-00130-073 (x2)



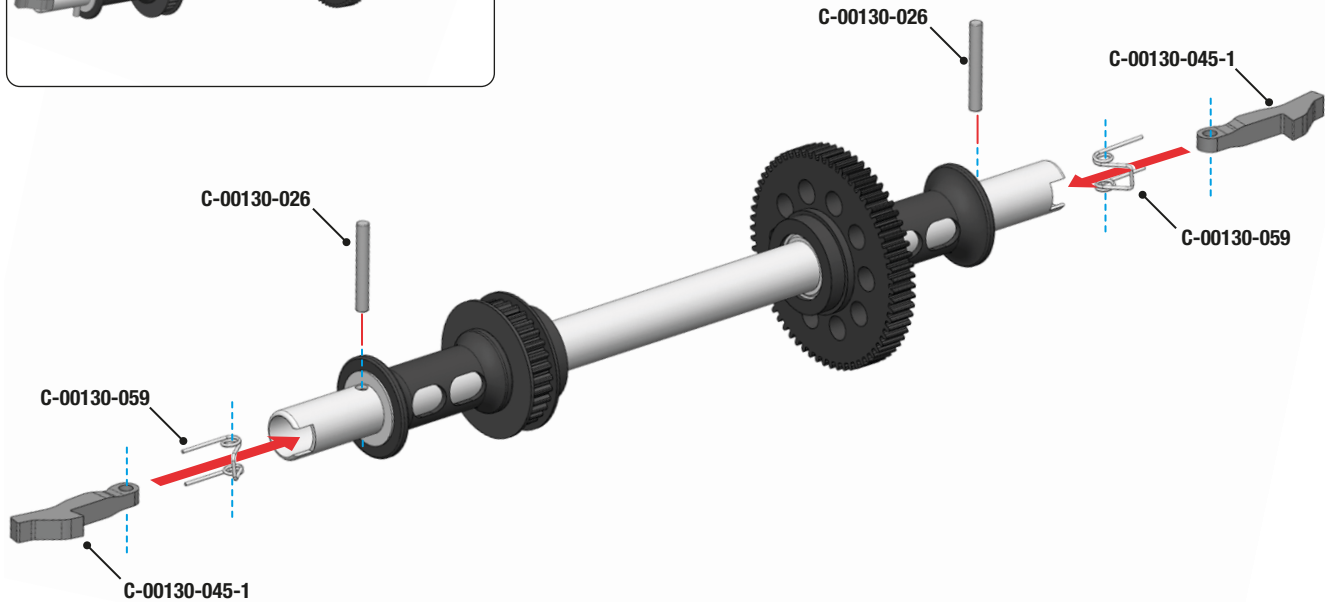
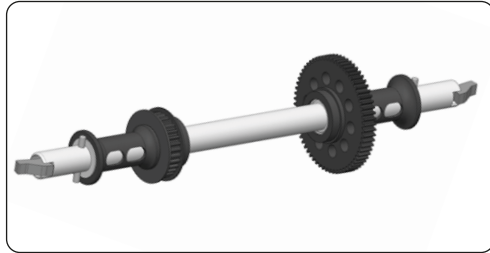
**Shims are optional, use them to
adjust the setting**

*Les Shims sont optionnelles, utilisez-les pour
ajuster le réglage*

*Shims zijn optioneel, gebruik ze om de instel-
ling aan te passen*

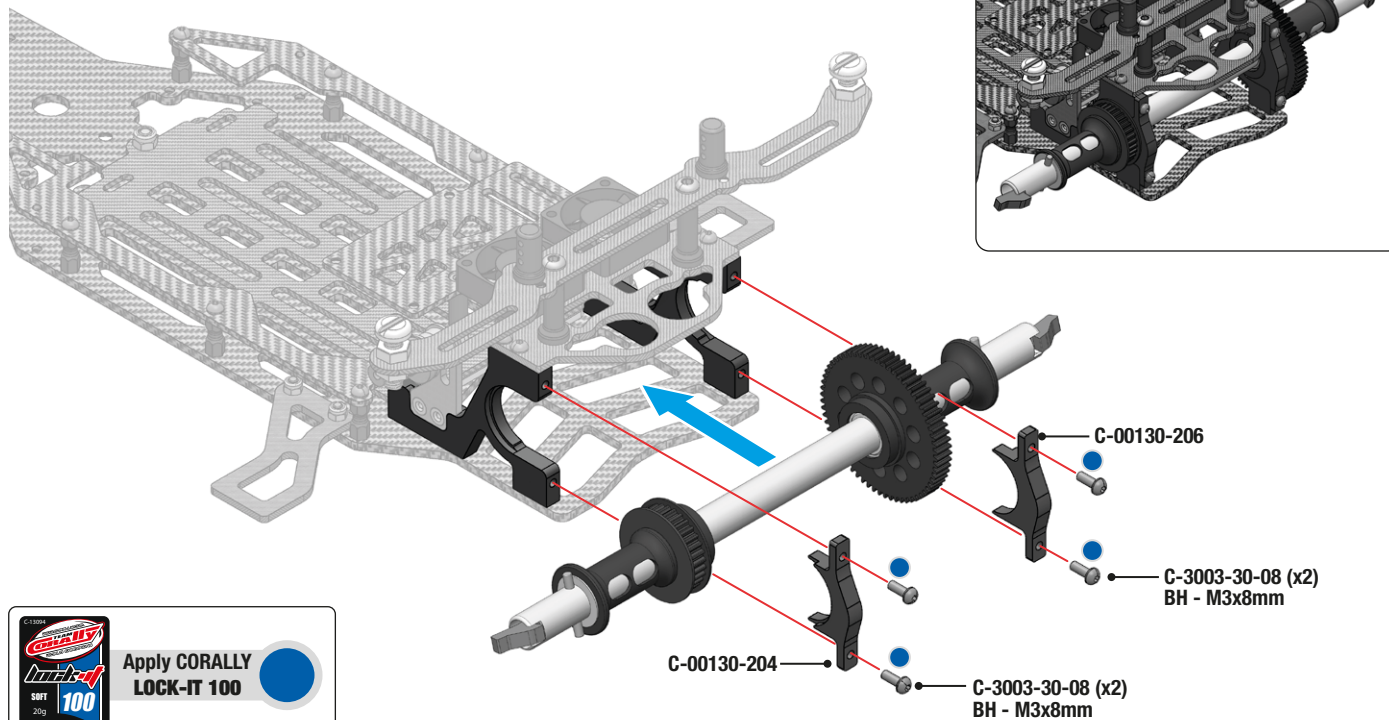
*Shims sind optional, verwenden Sie sie, um die
Einstellung anzupassen*

STEP 10





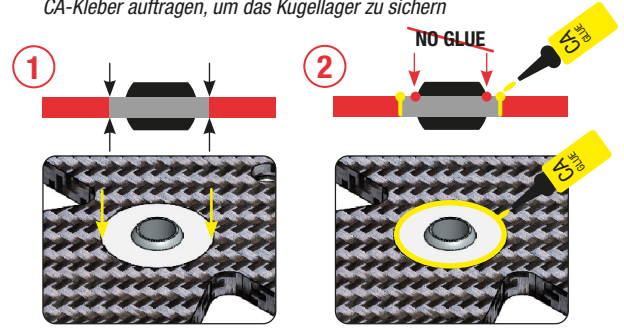
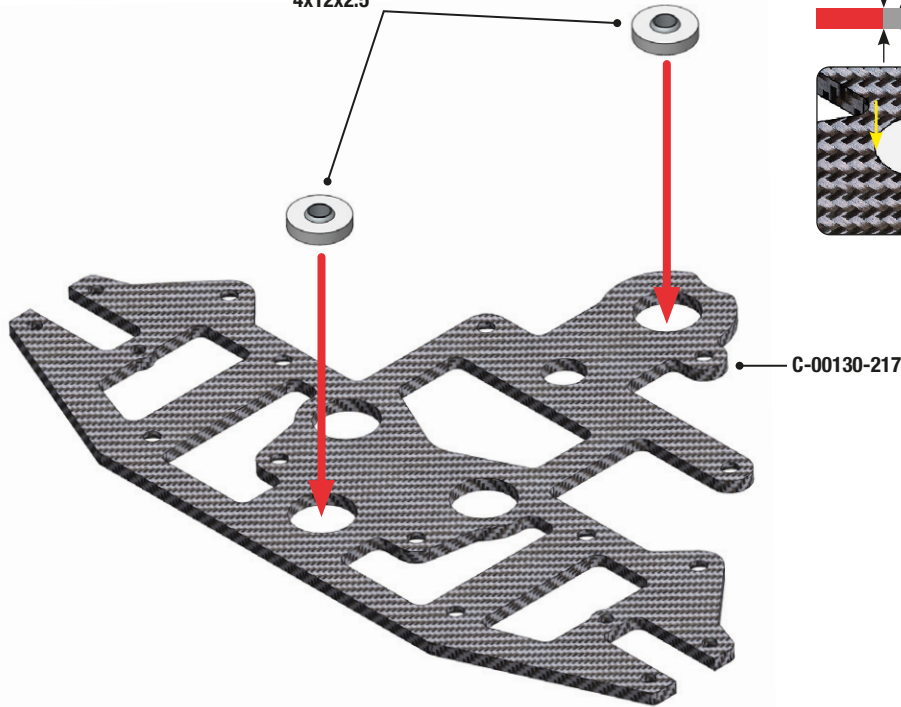
STEP 11



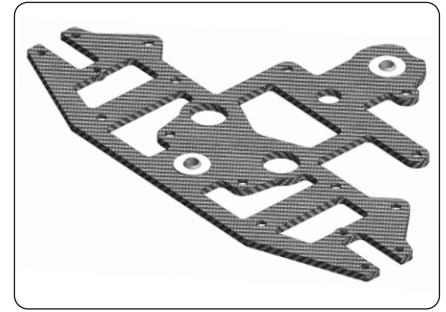
STEP 12

Apply CA Glue to secure the Spherical Ball Bushing Bearing
Appliquez de la colle CA pour fixer le roulement à boule sphérique.
 Breng CA-lijm aan om het sferische kogellager vast te zetten
CA-Kleber auftragen, um das Kugellager zu sichern

Spherical Ball Bushing Bearing
4x12x2.5

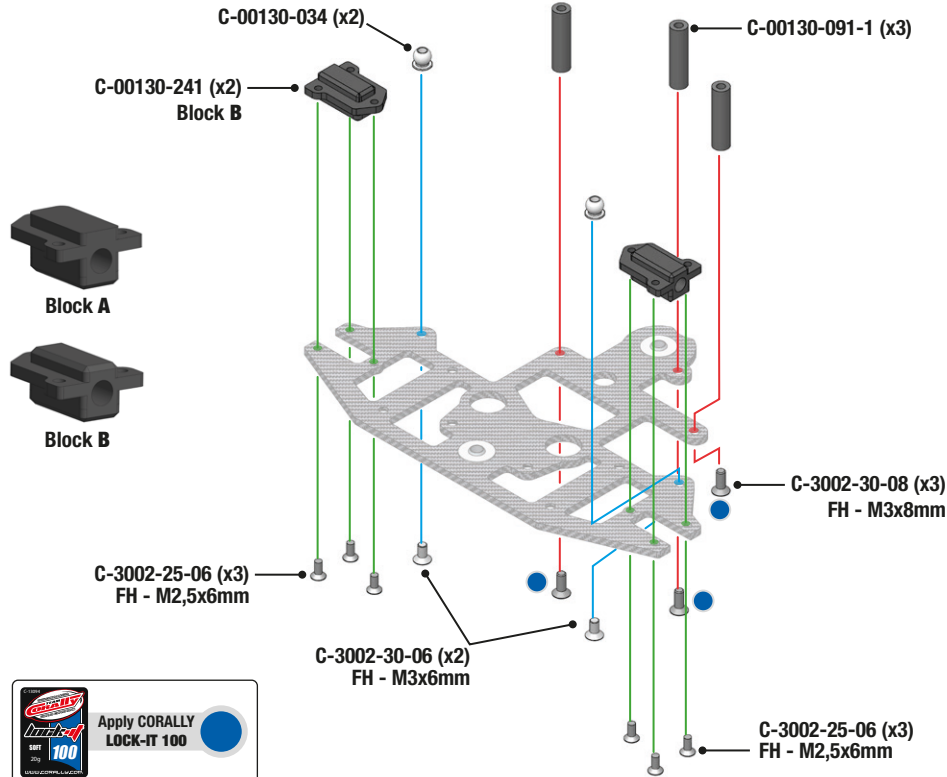


Apply CA Glue
STICK-IT 100





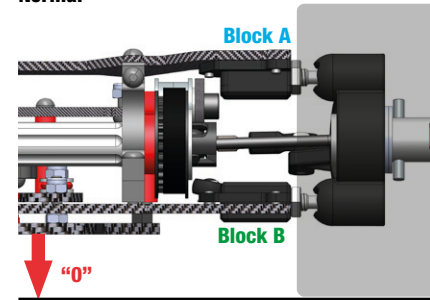
STEP 13



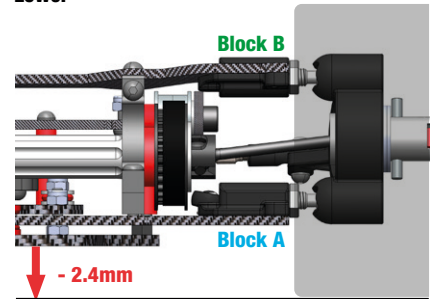
GROUND CLEARANCE

GARDE AU SOL • BODEMVRIJHEID • BODENFREIHEIT

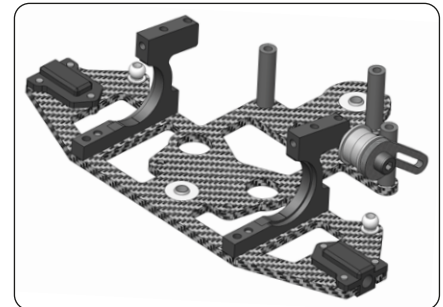
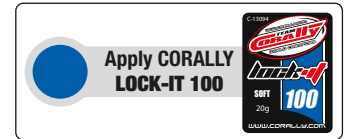
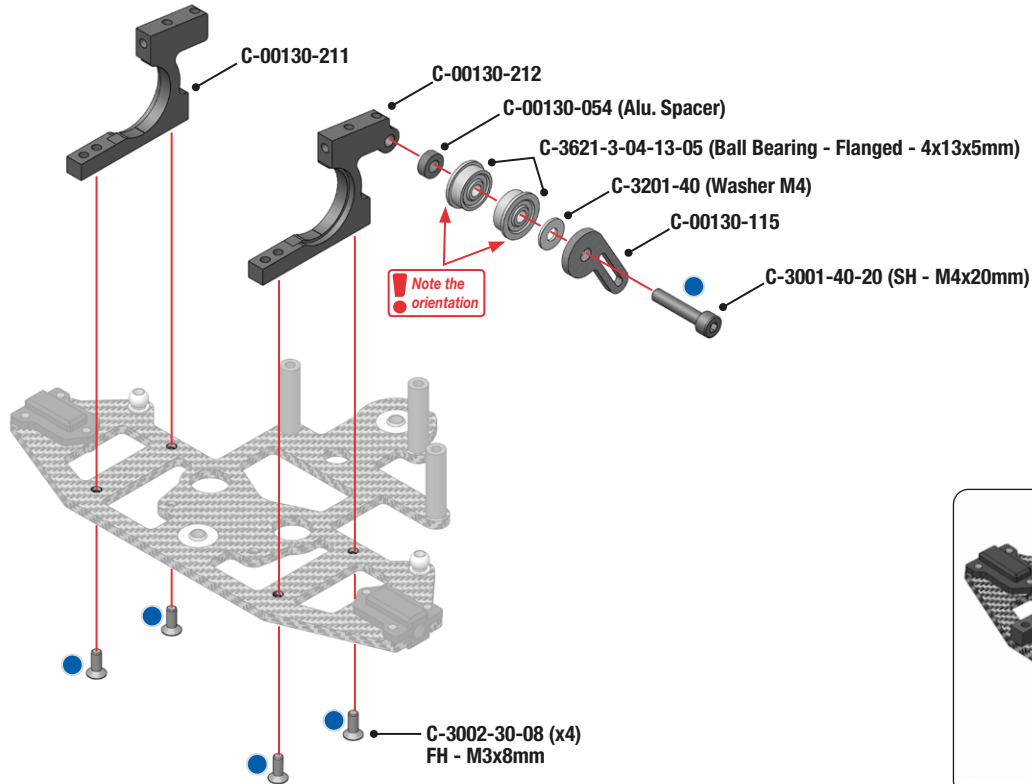
Normal



Lower

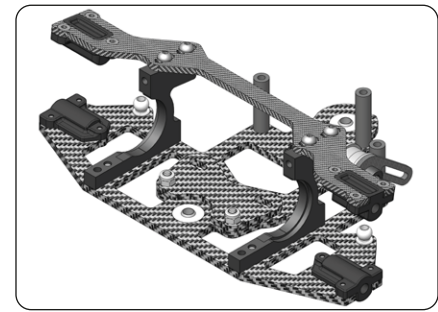
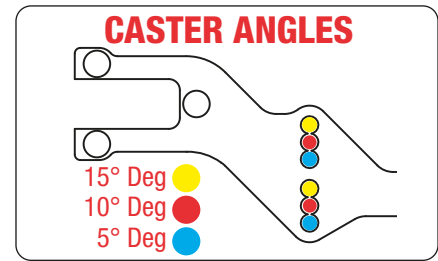
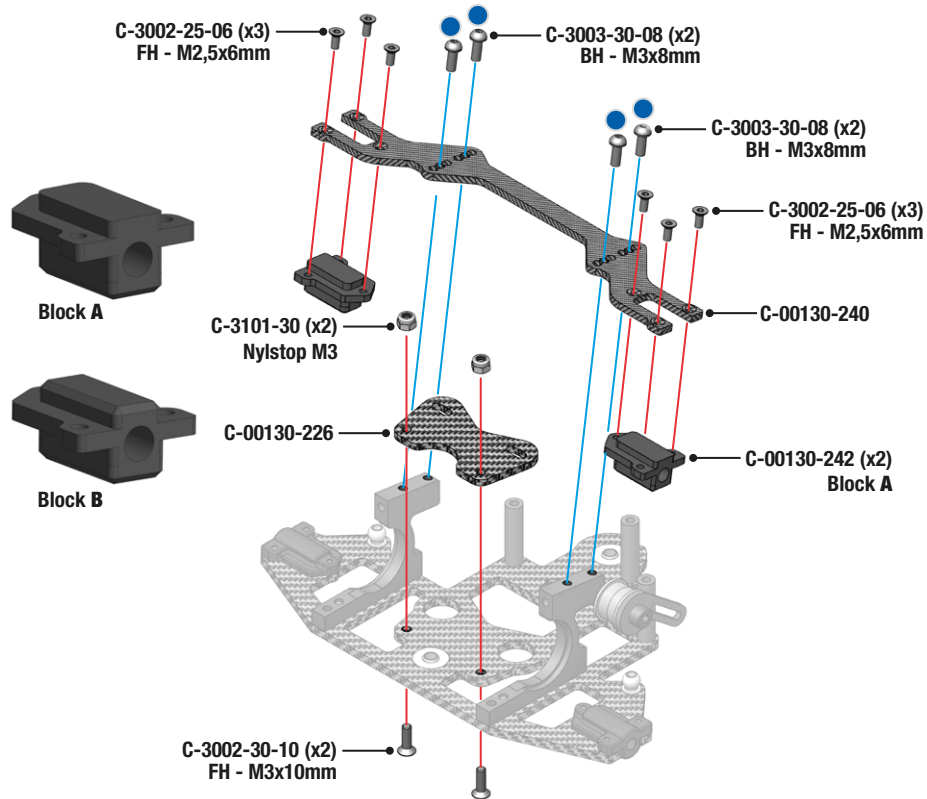


STEP 14



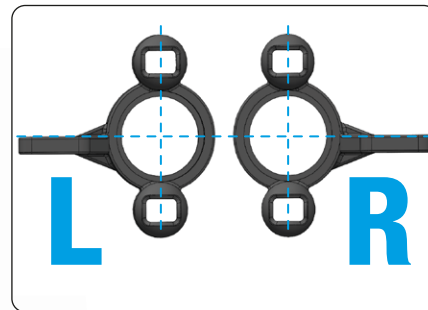
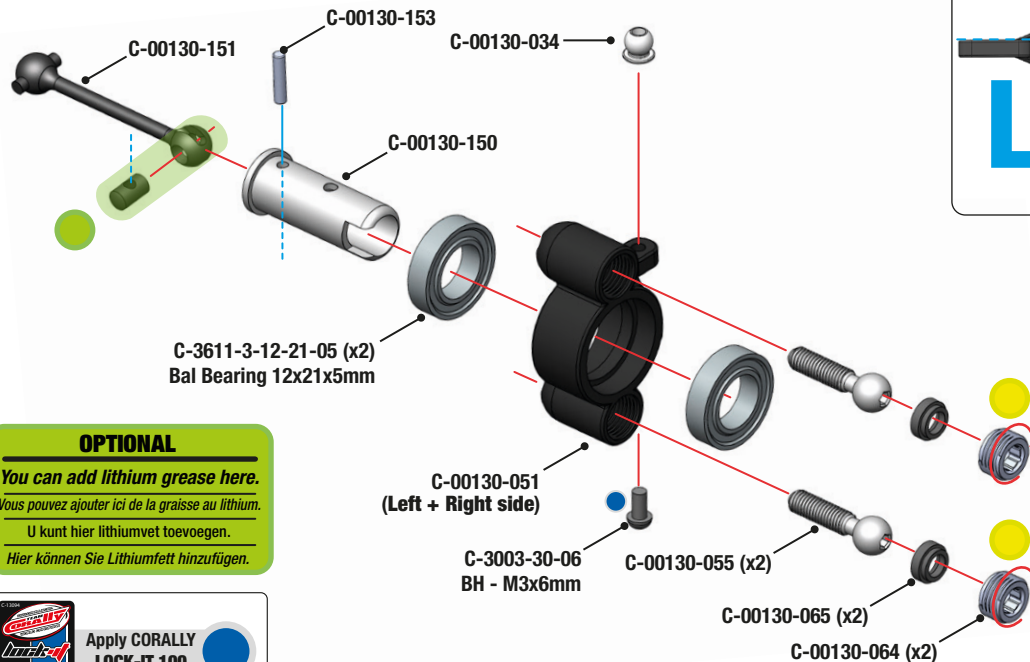


STEP 15



STEP 16

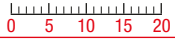
L + R



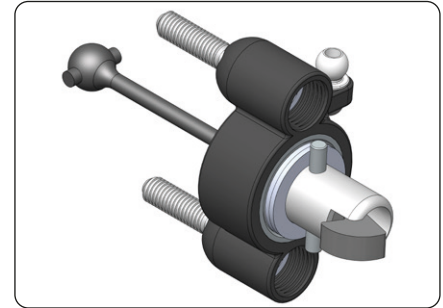
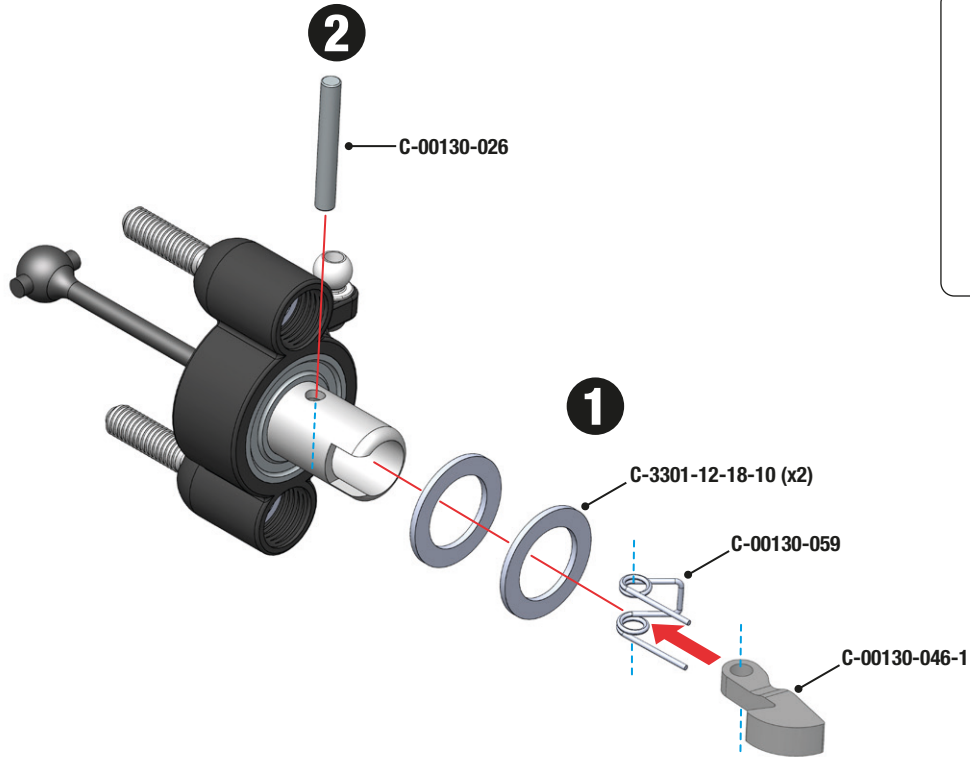
OPTIONAL
You can add lithium grease here.
Vous pouvez ajouter ici de la graisse au lithium.
U kunt hier lithiumvet toevoegen.
Hier können Sie Lithiumfett hinzufügen.



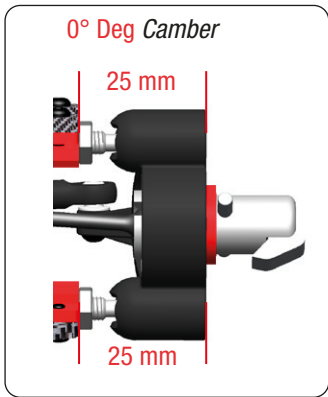
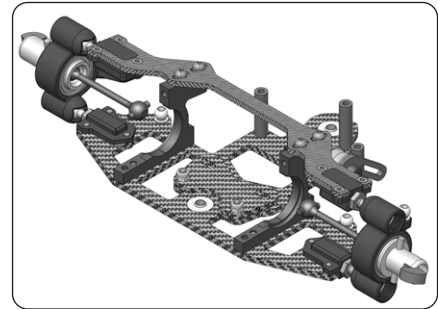
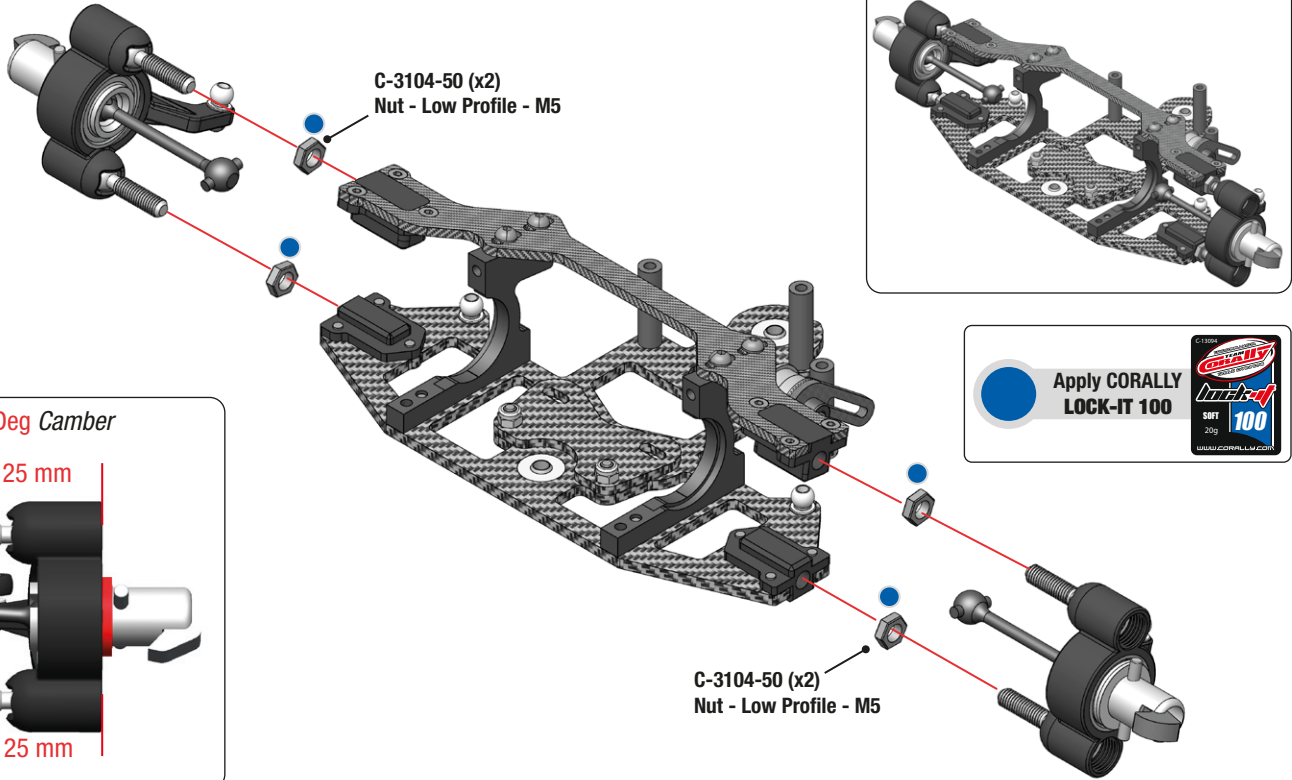
Do not overtighten the aluminium nuts otherwise the steering knuckle will not move freely.
Ne serrez pas trop les écrous en aluminium, sinon la fusée de direction ne pourra pas se déplacer librement.
Draai de aluminium moeren niet te vast aan, anders kan de fusee niet vrij bewegen.
Ziehen Sie die Aluminiummutter nicht zu fest an, da sich der Achsschenkel sonst nicht frei bewegen kann.



STEP 17



STEP 18





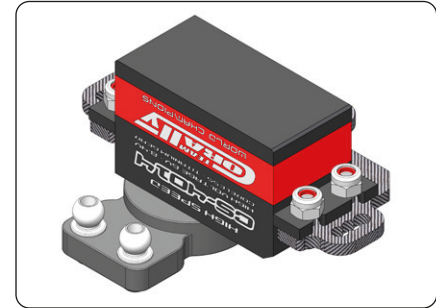
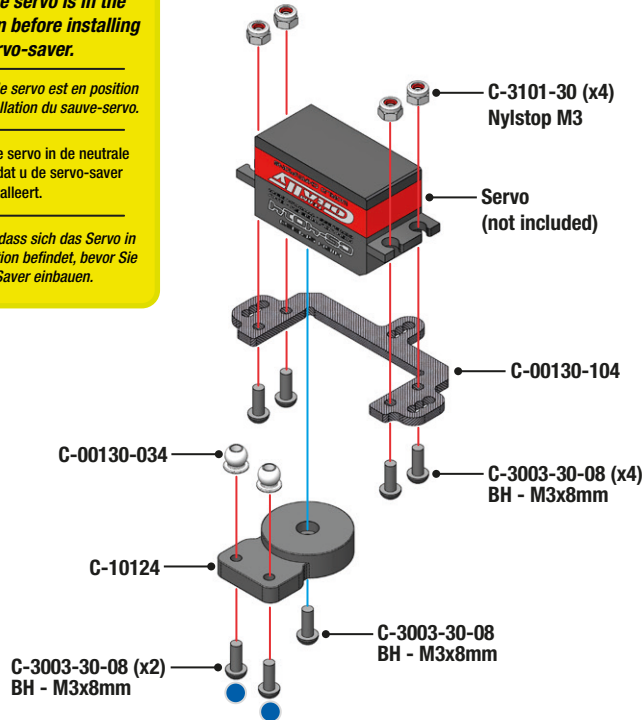
STEP 19

Make sure the servo is in the neutral position before installing the servo-saver.

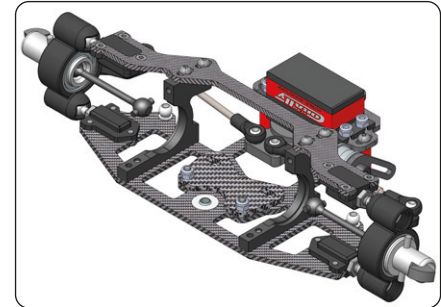
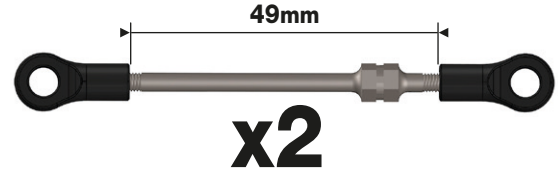
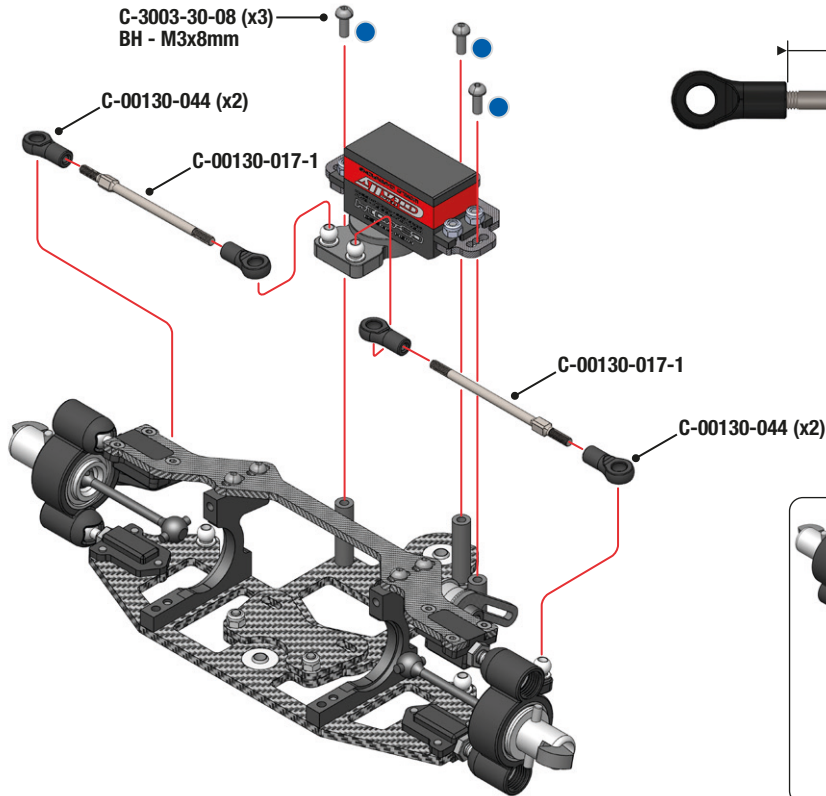
Assurez-vous que le servo est en position neutre avant l'installation du servo-saver.

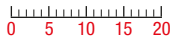
Zorg ervoor dat de servo in de neutrale stand staat voordat u de servo-saver installeert.

Stellen Sie sicher, dass sich das Servo in der neutralen Position befindet, bevor Sie den Servo-Saver einbauen.

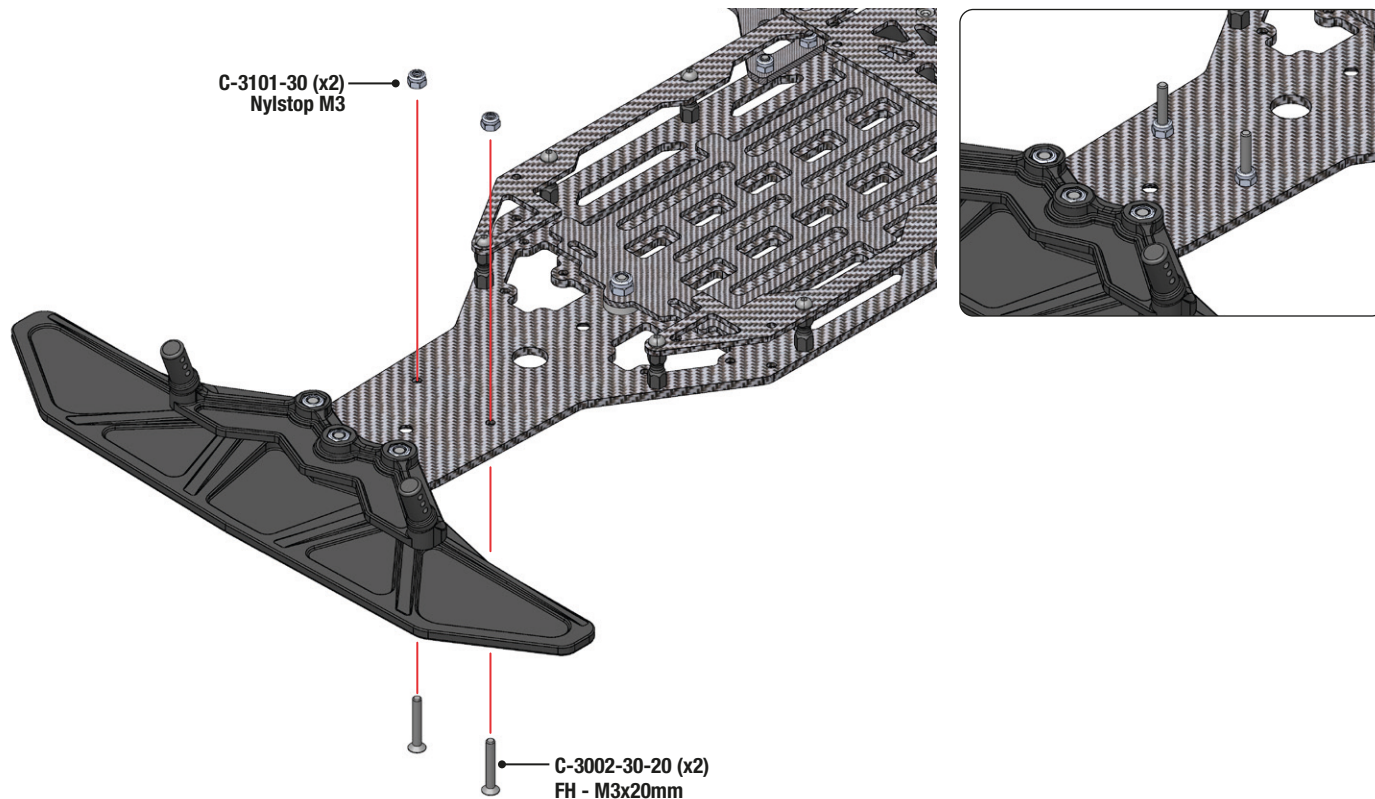


STEP 20

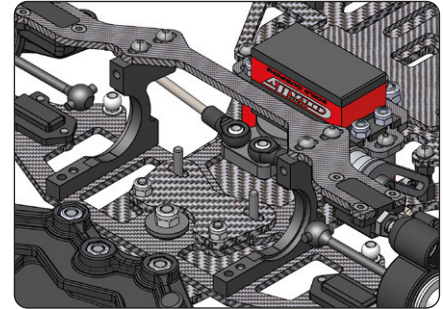
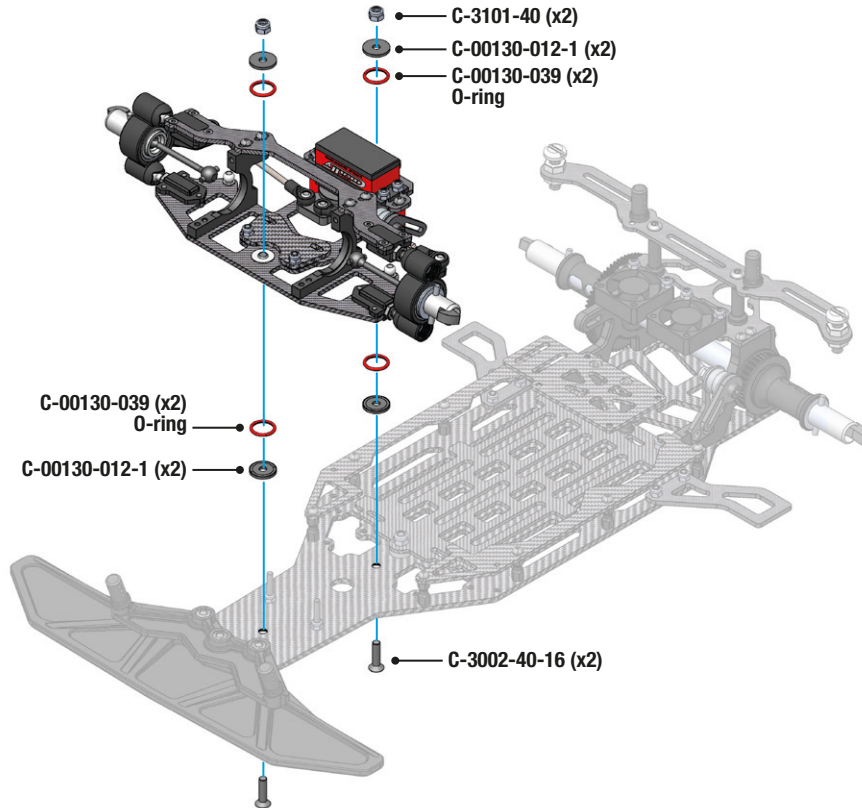




STEP 21

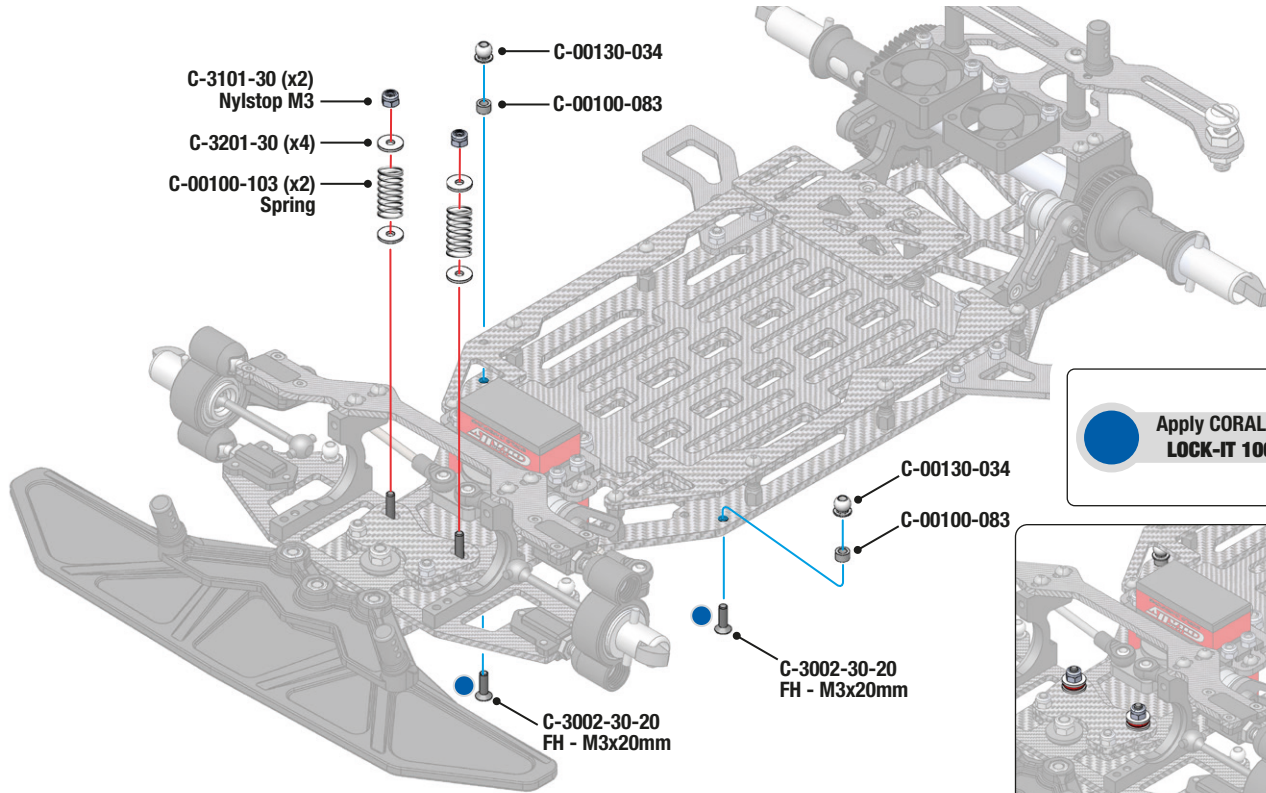


STEP 22





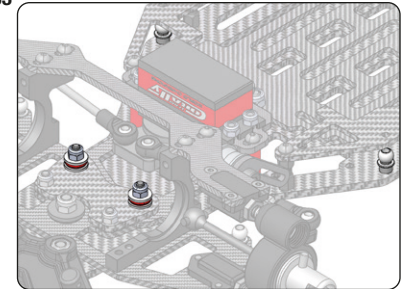
STEP 23



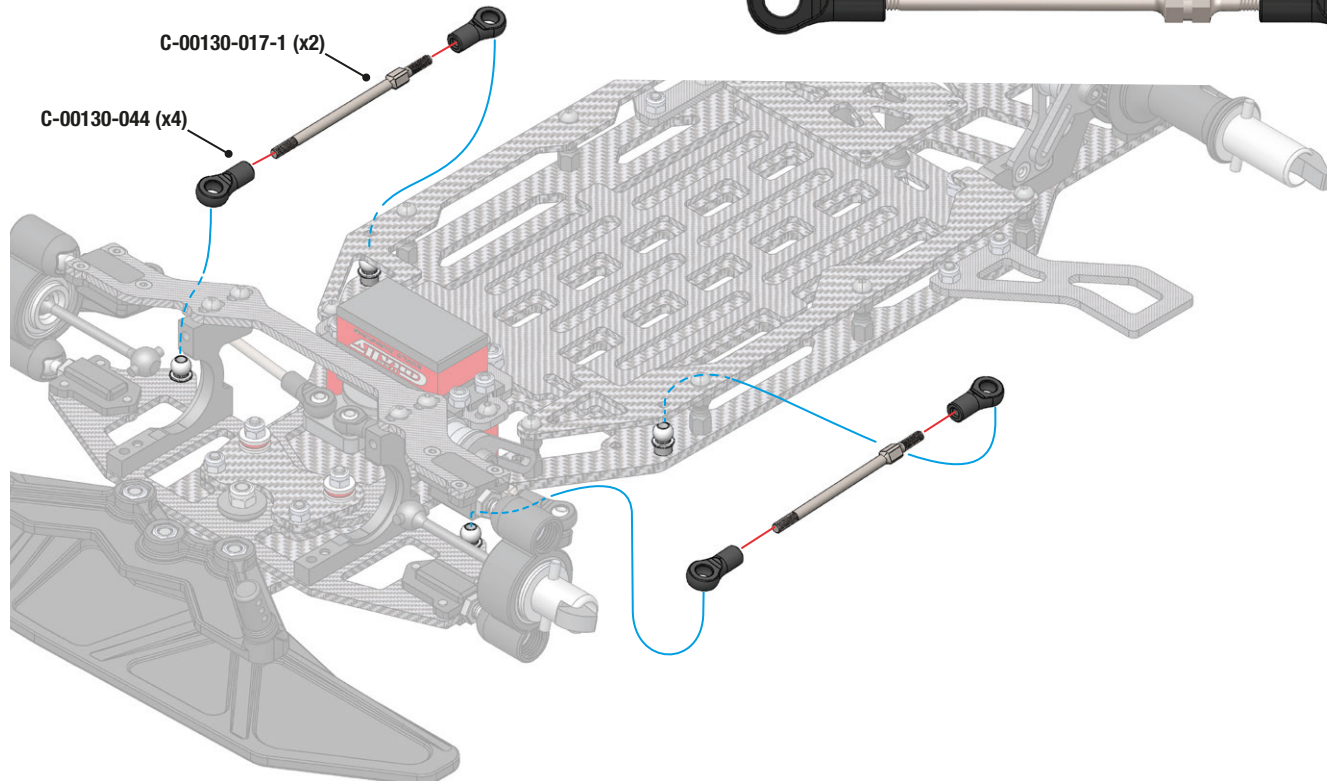
Apply CORALLY
LOCK-IT 100

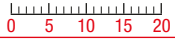


C-1305
CORALLY
lock-it
100
SFT
20g
WWW.CORALLY.COM

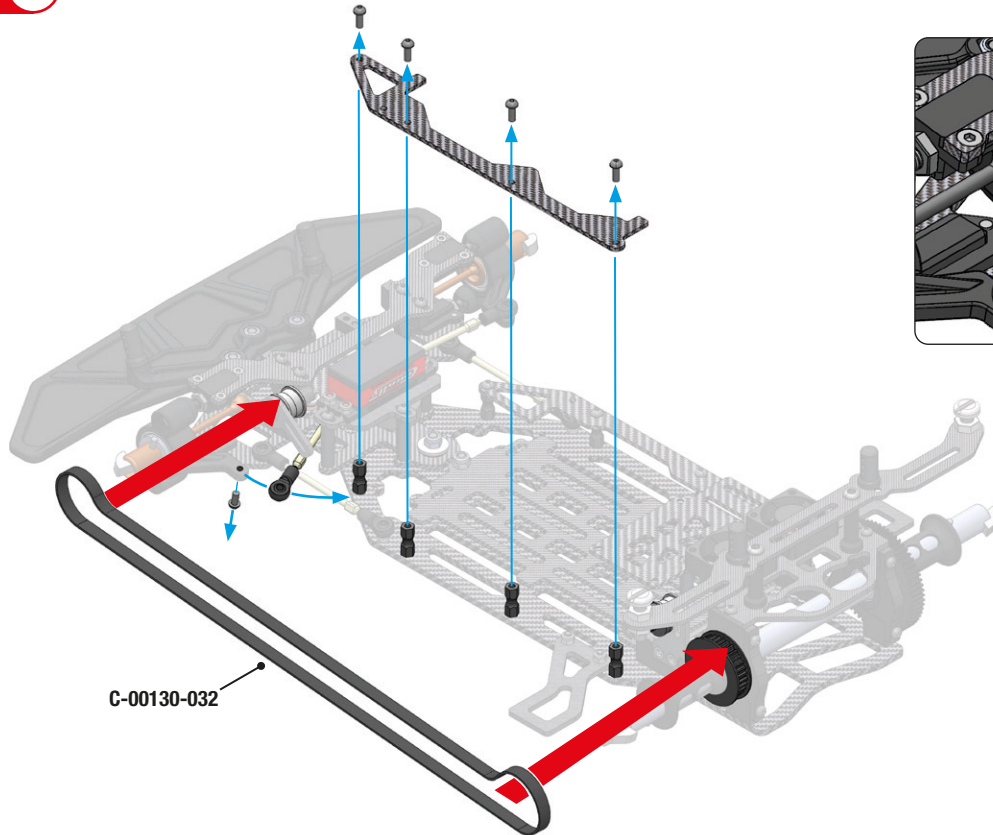


STEP 24



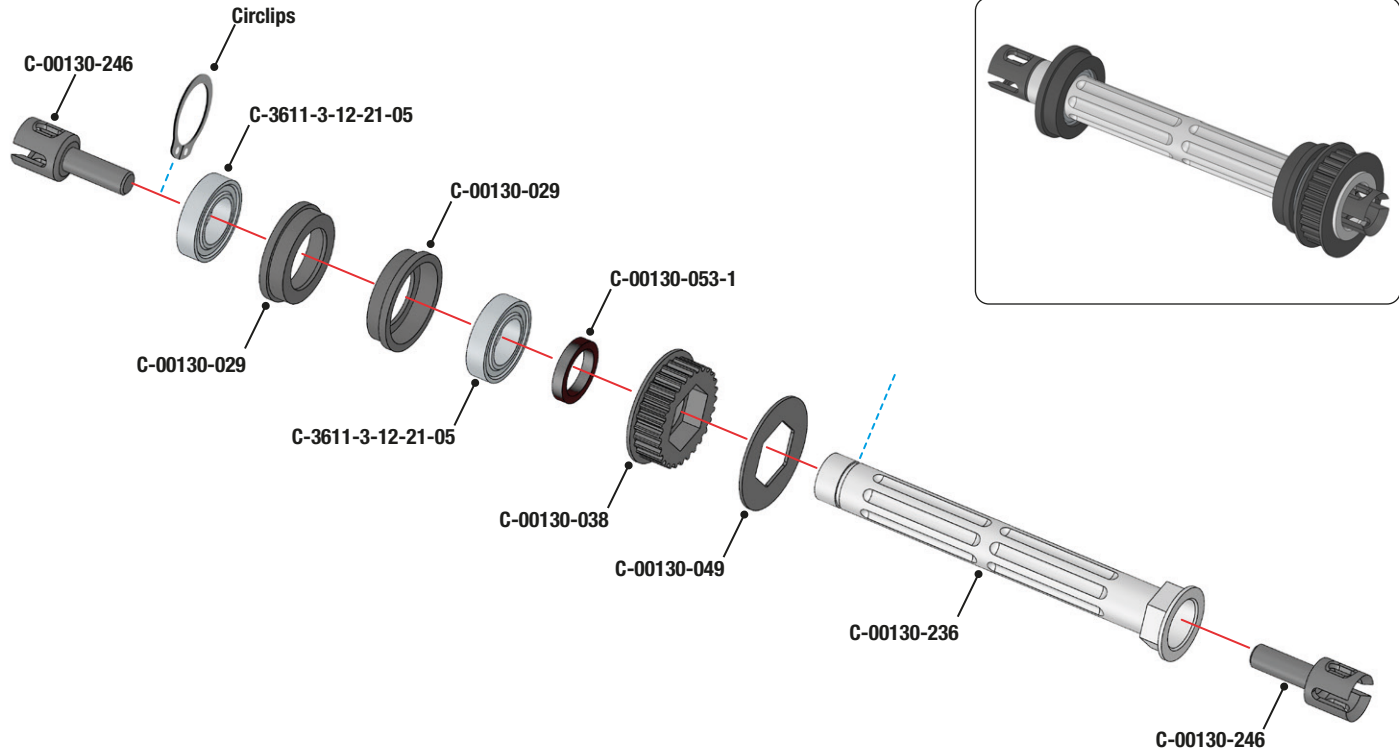


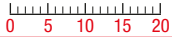
STEP 25



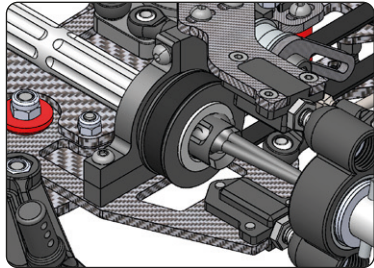
C-00130-032

STEP 26

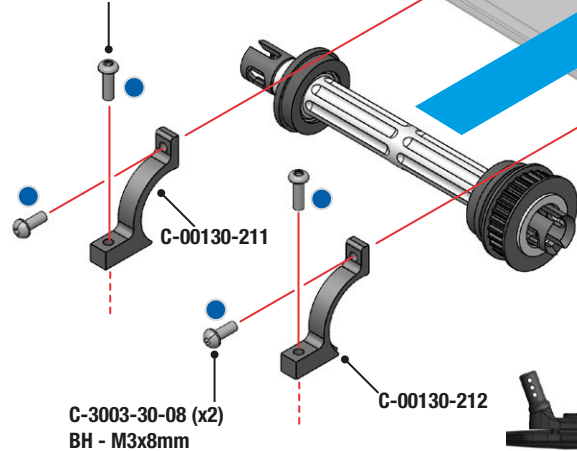




STEP 27



C-3003-30-10 (x2)
BH - M3x10mm



C-3003-30-08 (x2)
BH - M3x8mm

C-00130-212



Apply CORALLY
LOCK-IT 100

To adjust the tension of the drive belt

- Loosen the socket head screw
- Move the belt tensioner Up or Down
- Re-tighten the screw

Pour régler la tension de la courroie

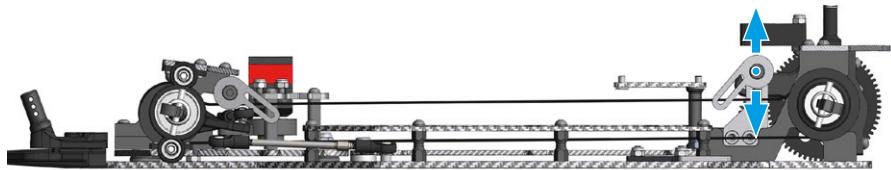
- Desserrez la vis à tête cylindrique.
- Déplacez le tendeur vers le haut ou bas
- Resserrez la vis

Om de spanning van de aandrijfriem af te stellen

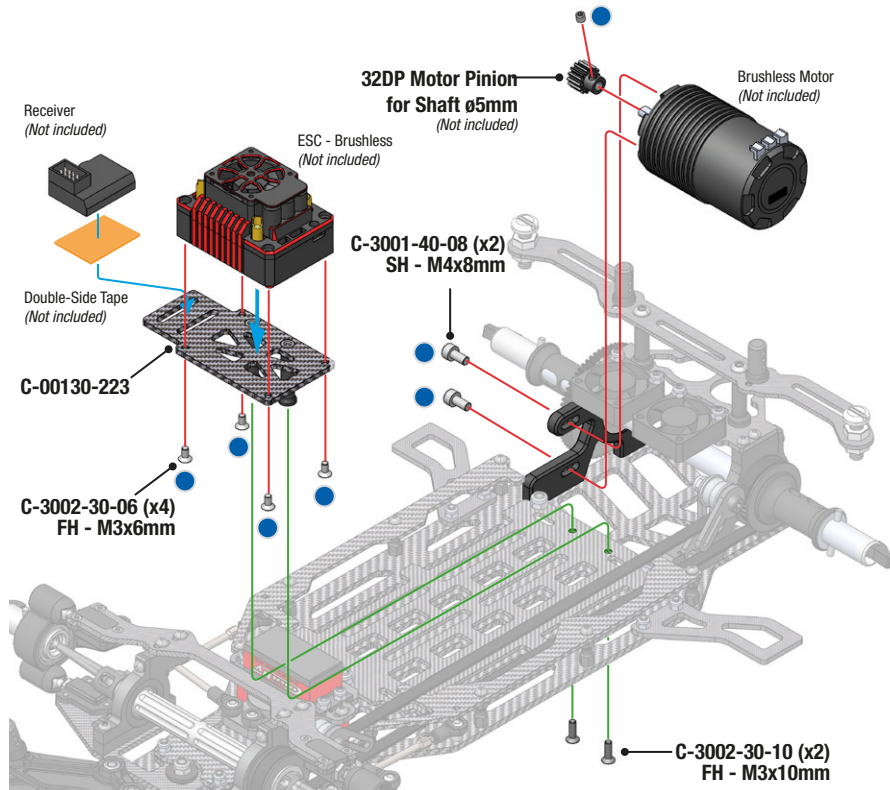
- Draai de inbusbout los
- Beweeg de riemspanner omhoog of omlaag
- Draai de schroef weer vast

So stellen Sie die Spannung des Antriebsriemens ein

- Lösen Sie die Innensechskantschraube
- Bewegen Sie den Riemenpanner nach oben oder unten
- Ziehen Sie die Schraube wieder an



STEP 28



RECOMMENDED 32DP MOTOR PINION		
Pinion - 15 Teeth	C-72515	For Brushless Motor >2200KV
Pinion - 16 Teeth	C-72516	
Pinion - 17 Teeth	C-72517	For Brushless Motor 2000 - 2200KV
Pinion - 18 Teeth	C-72518	
Pinion - 19Teeth	C-72519	For Brushless Motor 1800 - 2000KV
Pinion - 20 Teeth	C-72520	

RECOMMENDED BRUSHLESS MOTOR

C-61302 - Dynospeed VELOX 805
1/8 Sensored 4-Pole Competition Brushless Motor - 1950 KV

RECOMMENDED SPEEDCONTROLLER

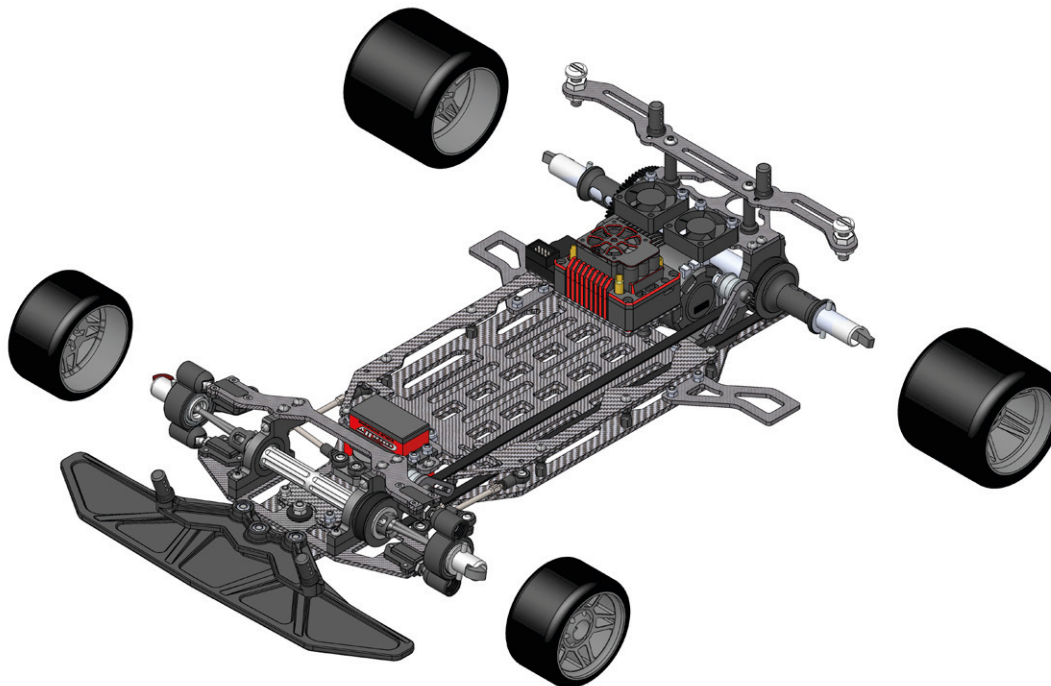
C-53011 - REVOC II XTR
2-6S Esc For Sensored and Sensorless Motors - 160A

Apply CORALLY LOCK-IT 100



RECOMMENDED FOAM TIRES

PNEUS MOUSSE RECOMMANDÉS • AANBEVOLEN SCHUIMBANDEN • EMPFOHLENE SCHAUMSTOFF-REIFEN



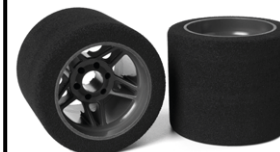
SSX-8 FOAM TIRES



C-14713-30
Front Foam Tyres - 30 Shore

C-14713-32
Front Foam Tyres - 32 Shore

C-14713-35
Front Foam Tyres - 35 Shore



C-14718-32
Rear Foam Tyres - 32 Shore

C-14718-35
Front Foam Tyres - 35 Shore



RECOMMENDED LIPO BATTERY

BATTERIE LIPO RECOMMANDÉE • AANBEVOLEN LIPO BATTERIJ • RECOMMENDED LIPO BATTERY

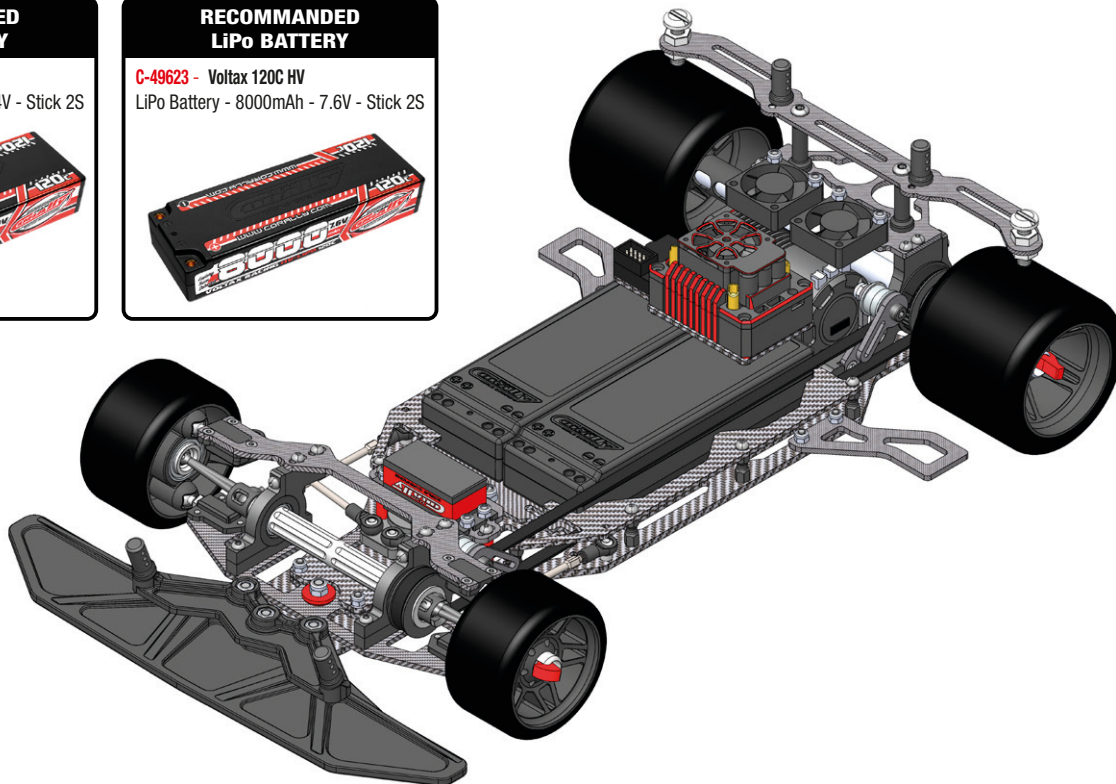
RECOMMENDED LiPo BATTERY

C-49523 - Voltax 120C
LiPo Battery - 8000mAh - 7.4V - Stick 2S



RECOMMENDED LiPo BATTERY

C-49623 - Voltax 120C HV
LiPo Battery - 8000mAh - 7.6V - Stick 2S

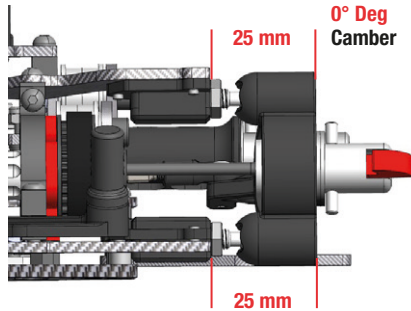




BASIC CAR SET-UP

CONFIGURATION DE BASE • BASIS-SET-UP • GRUNDEINSTELLUNG

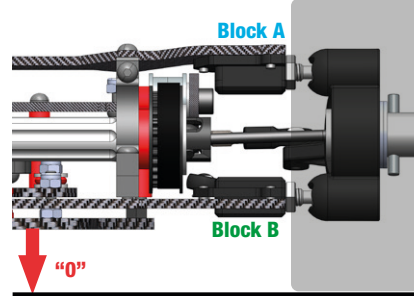
CAMBER ANGLE



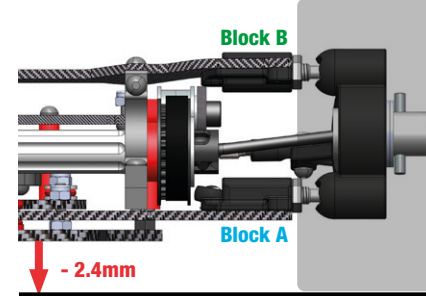
GROUND CLEARANCE

GARDE AU SOL • BODEMVRIJHEID • BODENFREIHEIT

Normal

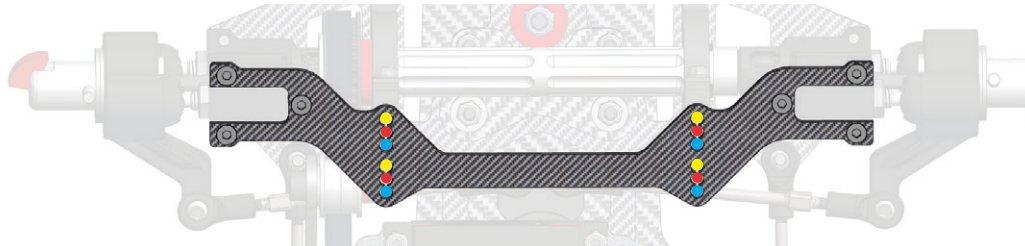


Lower



CASTER ANGLE

- 15° Deg ●
- 10° Deg ●
- 5° Deg ●

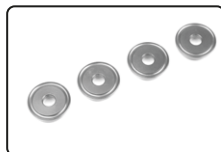




C-00100-083
Shim Ring - ID 3mm - OD 5mm - 3mm - Aluminium - 5 pcs



C-00100-103
Springs - Silver 0.6mm - Medium Soft - 2 pcs



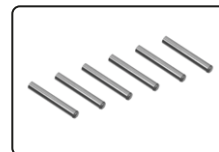
C-00130-012-1
Flex Washer - Aluminium - 4 pcs



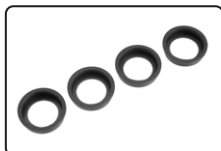
C-00130-017-1
Steering Turnbuckle 62mm Steel - 2 Pcs



C-00130-025
Rear Axle Shaft - 1 pc



C-00130-026
Steel Pin - 3x20mm - 6 pcs



C-00130-029
Ball Bearing Inserts - Composite - 4 pcs



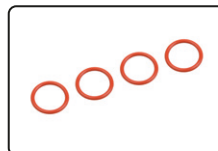
C-00130-032
Timing Belt SSX-8 - 1 pc



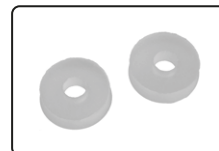
C-00130-034
Ball - ø5.8mm - M3 - 4 pcs



C-00130-038
Pulley 28T - Composite - 1 pc



C-00130-039
Silicone O-Ring - 10.5x1.5 - 4 pcs



C-00130-040
Silicone Washer - 2 pcs



C-00130-042
Bumper - 1 pc



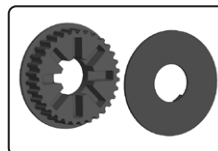
C-00130-044
Ball Joint - ø5.8mm - M3 - Composite - 6 pcs



C-00130-045-1
Aluminium Lever - Rear - 2 pcs



C-00130-046-1
Aluminium Lever - Front - 2 pcs



C-00130-050
Pulley 32T - Composite - 1 pc



C-00130-051
Steering Block - LEFT + RIGHT - Composite - 2 pcs



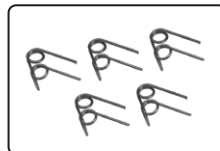
C-00130-053-1
Aluminium Spacer Drive Axle - Front - 2 pcs



C-00130-054-1
Aluminium Spacer Belt Tensioner - Front - 2 pcs



C-00130-055
Pivot Ball - M5 - 4 pcs



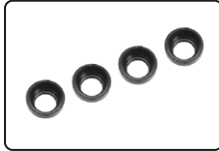
C-00130-059
Spring for Lever - 5 pcs



C-00130-062
Body Mount - Composite - 2 pcs



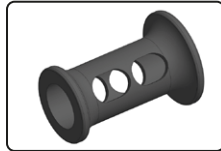
C-00130-064
Aluminium Adjusting Nut - M10x1 - 4 pcs



C-00130-065
Composite Washer for Pivot Ball
- 4 pcs



C-00130-066
Body Mount Spacer - Composite -
2 pcs



C-00130-073
Rear Shaft Spacer - Composite
- 1 pc



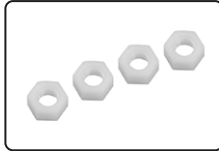
C-00130-080
Main Gear 64D - Mod 0.8 - Com-
posite - 1 pc



C-00130-091-1
Servo Post - Aluminium - 3Pcs



C-00130-099
Body Mount Plate Rear - Carbon
- 1 pc



C-00130-100
Nylon Nut - M6 - 4 Pcs



C-00130-101
Nylon Body Adj. Screw M6 - 2 pcs



C-00130-104
Servo Plate - Carbon - 1 pc



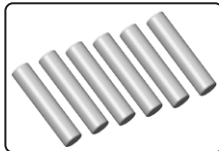
C-00130-115
Belt Plate Guide - Carbon - 1 pc



C-00130-150
Wheel Axle - Front - Chrome Steel
- 2 pcs



C-00130-151
CVD Driveshaft - 1 pc



C-00130-153
Steel Pin - 2.5x11.8mm - 6 pcs



C-00130-204
Rear Bulkhead - Aluminum 7075
- Left - 1 pc



C-00130-205
Belt Tensioner Mount Plate - Carbon
- 1 pc



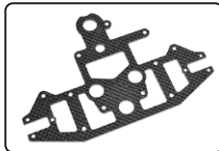
C-00130-206
Rear Bulkhead - Aluminum 7075 -
Right - 1 pc



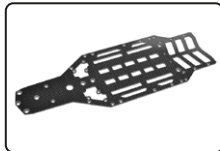
C-00130-211
Front Bulkhead - Aluminum 7075 -
Right - 1 pc



C-00130-212
Front Bulkhead - Aluminum 7075
- Left - 1 pc



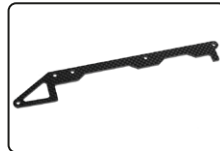
C-00130-217
Front Lower Suspension Plate Car-
bon + Spherical Balls (2) - 1 Set



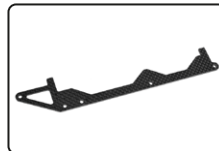
C-00130-218
Chassis 3mm - Carbon - 1 pc



C-00130-219
Composite Post - 14mm M3 - 2 pcs



C-00130-220
Battery Side Retainer - Right -
Carbon - 1 pc



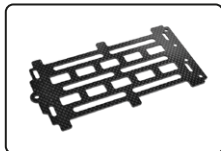
C-00130-221
Battery Side Retainer - Left -
Carbon - 1 pc



C-00130-222
Aluminium Post - 27mm M3 -
Aluminium - 2 pcs



C-00130-223
ESC Plate - Carbon 2.5mm - 1 pc



C-00130-225
Battery Plate - Carbon 3mm - 1 pc



C-00130-226
FLEX Plate - Front - Carbon 2.5mm - 1 pc



C-00130-228
Battery Plate riser - Carbon 2.5mm - 1 pc



C-00130-229
Chassis Side Protection - Carbon 2.5mm - 1 pc



C-00130-231
Front Bumper - Composite - 1 pc



C-00130-236
Front Drive Axle with one-way bearing - 1 pc



C-00130-239
Rear Bulkhead Joint Plate - Carbon 2.5mm - 1 pc



C-00130-240
Front Upper Drivetrain Plate - Carbon 2.5mm - 1 pc



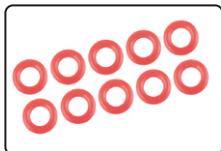
Block B
C-00130-241
Pivot Ball Mounting Block - Lower - Aluminium - 2 Pcs



Block A
C-00130-242
Pivot Ball Mounting Block - Upper - Aluminium - 2 Pcs



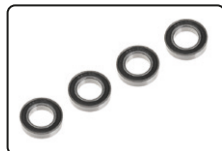
C-00130-246
One Way Outdrive Cup - Steel - Light - 2 pcs



C-00140-032
O-Ring - Silicone - 5x8.5mm - 10 pcs



C-10124
Servo Saver - HD Large - Universal - 23-24-25 Spline - 1 pc



C-3611-3-12-21-05
Ball Bearing - Abec 3 - 12x21x5mm - 4 Pcs










C-3621-3-04-13-05
Ball Bearing - Abec 3 - 4x13x4mm Flanged - 4 Pcs

PINIONS

32DP - STEEL - 5.0MM



	Pinion 32 DP - 5mm Shaft 12 Teeth	C-72512
	Pinion 32 DP - 5mm Shaft 13 Teeth	C-72513
	Pinion 32 DP - 5mm Shaft 14 Teeth	C-72514
	Pinion 32 DP - 5mm Shaft 15 Teeth	C-72515
	Pinion 32 DP - 5mm Shaft 16 Teeth	C-72516
	Pinion 32 DP - 5mm Shaft 17 Teeth	C-72517
	Pinion 32 DP - 5mm Shaft 18 Teeth	C-72518

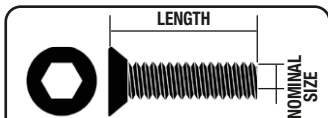
PINIONS

PINION CADDIES



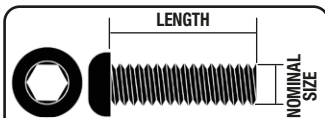
Sold without pinions

Team Corally - Pinion Caddy 32DP - 11 Pinions - \varnothing 5mm	C-16205
---	---------



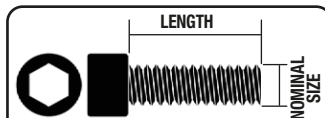
HEX FLAT HEAD SCREWS
DIN 7991 - STEEL - 10 PCS

NOMINAL SIZE	LENGTH MM	REF
M2.5	6	C-3002-25-06
M2.5	8	C-3002-25-08
M2.5	10	C-3002-25-10
M2.5	12	C-3002-25-12
M2.5	16	C-3002-25-16
M2.5	18	C-3002-25-18
M2.5	20	C-3002-25-20
M3	6	C-3002-30-06
M3	8	C-3002-30-08
M3	10	C-3002-30-10
M3	12	C-3002-30-12
M3	14	C-3002-30-14
M3	16	C-3002-30-16
M3	18	C-3002-30-18
M3	20	C-3002-30-20
M3	25	C-3002-30-25
M3	35	C-3002-30-35
M4	8	C-3002-40-08
M4	10	C-3002-40-10
M4	12	C-3002-40-12
M4	14	C-3002-40-14
M4	16	C-3002-40-16
M4	18	C-3002-40-18
M4	20	C-3002-40-20
M4	25	C-3002-40-25
M4	30	C-3002-40-30



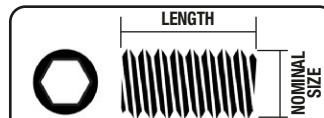
HEX BUTTON HEAD SCREWS
DIN 7380 - STEEL - 10 PCS

NOMINAL SIZE	LENGTH MM	REF
M2.5	6	C-3003-25-06
M2.5	8	C-3003-25-08
M2.5	10	C-3003-25-10
M2.5	12	C-3003-25-12
M2.5	16	C-3003-25-16
M2.5	18	C-3003-25-18
M2.5	20	C-3003-25-20
M3	6	C-3003-30-06
M3	8	C-3003-30-08
M3	10	C-3003-30-10
M3	12	C-3003-30-12
M3	14	C-3003-30-14
M3	16	C-3003-30-16
M3	18	C-3003-30-18
M3	20	C-3003-30-20
M3	25	C-3003-30-25
M3	35	C-3003-30-35
M4	8	C-3003-40-08
M4	10	C-3003-40-10
M4	12	C-3003-40-12
M4	14	C-3003-40-14
M4	16	C-3003-40-16
M4	18	C-3003-40-18
M4	20	C-3003-40-20
M4	25	C-3003-40-25
M4	30	C-3003-40-30



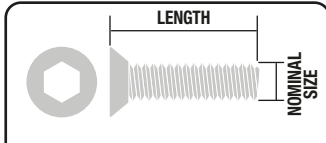
HEX SOCKET HEAD SCREWS
DIN 912 - STEEL - 10 PCS

NOMINAL SIZE	LENGTH MM	REF
M2.5	6	C-3000-25-06
M2.5	8	C-3000-25-08
M2.5	10	C-3000-25-10
M2.5	12	C-3000-25-12
M2.5	16	C-3000-25-16
M2.5	18	C-3000-25-18
M2.5	20	C-3000-25-20
M3	6	C-3000-30-06
M3	8	C-3000-30-08
M3	10	C-3000-30-10
M3	12	C-3000-30-12
M3	14	C-3000-30-14
M3	16	C-3000-30-16
M3	18	C-3000-30-18
M3	20	C-3000-30-20
M3	25	C-3000-30-25
M3	35	C-3000-30-35
M4	8	C-3000-40-08
M4	10	C-3000-40-10
M4	12	C-3000-40-12
M4	14	C-3000-40-14
M4	16	C-3000-40-16
M4	18	C-3000-40-18
M4	20	C-3000-40-20
M4	25	C-3000-40-25
M4	30	C-3000-40-30



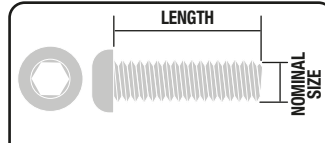
HEX SET SCREWS
DIN 916 - STEEL - 10 PCS

NOMINAL SIZE	LENGTH MM	REF
M3	3	C-3004-30-03
M3	5	C-3004-30-05
M3	8	C-3004-30-08
M3	10	C-3004-30-10
M3	12	C-3004-30-12
M3	20	C-3004-30-20
M4	4	C-3004-40-04
M4	6	C-3004-40-06
M4	8	C-3004-40-08
M4	10	C-3004-40-10
M4	12	C-3004-40-12
M5	4	C-3004-50-04
M5	5	C-3004-50-05



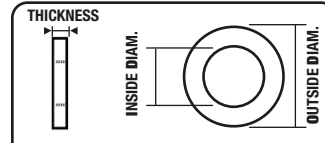
**HEX FLAT HEAD SCREWS
TITANIUM - 10 PCS**

NOMINAL SIZE	LENGTH MM	REF
M3	6	C-3022-30-06
M3	8	C-3022-30-08
M3	10	C-3022-30-10
M3	12	C-3022-30-12
M3	14	C-3022-30-14
M3	16	C-3022-30-16
M3	18	C-3022-30-18
M3	20	C-3022-30-20
M4	8	C-3022-40-08
M4	10	C-3022-40-10
M4	12	C-3022-40-12
M4	16	C-3022-40-16
M4	20	C-3002-40-20



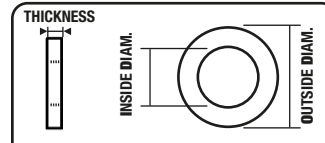
**HEX BUTTON HEAD SCREWS
TITANIUM - 10 PCS**

NOMINAL SIZE	LENGTH MM	REF
M3	6	C-3023-30-06
M3	8	C-3023-30-08
M3	10	C-3023-30-10
M3	12	C-3023-30-12
M3	16	C-3023-30-16
M3	20	C-3023-30-20
M3	25	C-3023-30-25
M4	6	C-3023-40-06
M4	8	C-3023-40-08
M4	10	C-3023-40-10
M4	12	C-3023-40-12
M4	16	C-3023-40-16
M4	20	C-3023-40-20
M4	25	C-3023-40-25



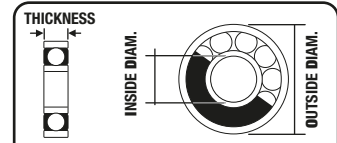
**SHIM WASHERS
METRIC - STEEL - 10 PCS**

ID MM	OD MM	TH MM	REF
4	6	0.1	C-3301-04-06-01
6	8	0.1	C-3301-06-08-01
8	10	0.1	C-3301-08-10-01
13	16	0.1	C-3301-13-16-01



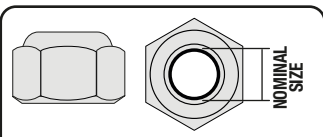
**STEEL WASHERS
GALVANIZED STEEL - 10 PCS**

ID MM	OD MM	TH MM	REF
3.2	7	0.5	C-3201-30
4.3	9	0.8	C-3201-40
6.4	12	1.6	C-3201-60



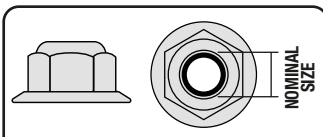
**BALL BEARING
ABEC 3 - STEEL - 2 PCS**

ID MM	OD MM	TH MM	REF
5	8	3	C-3611-3-05-08-03
5	10	4	C-3611-3-05-10-04
6	10	3	C-3611-3-06-10-03
8	16	5	C-3611-3-08-16-05
10	15	4	C-3611-3-10-15-04
12	21	5	C-3611-3-12-21-05



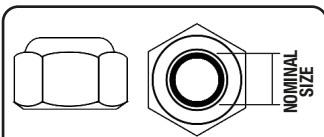
NYLSTOP NUT
ALUMINIUM - 10 PCS

REF	NOMINAL SIZE	COLOR
C-3106-20-0	M2	Gold
C-3106-20-1	M2	Green
C-3106-20-2	M2	Purple
C-3106-20-3	M2	Gun
C-3106-20-4	M2	Blue
C-3106-20-5	M2	Red
C-3106-20-6	M2	Black
C-3106-30-0	M3	Gold
C-3106-30-1	M3	Green
C-3106-30-2	M3	Purple
C-3106-30-3	M3	Gun
C-3106-30-4	M3	Blue
C-3106-30-5	M3	Red
C-3106-30-6	M3	Black
C-3106-40-0	M4	Gold
C-3106-40-1	M4	Green
C-3106-40-2	M4	Purple
C-3106-40-3	M4	Gun
C-3106-40-4	M4	Blue
C-3106-40-5	M4	Red
C-3106-40-6	M4	Black



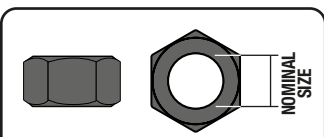
NYLSTOP NUT - FLANGED
ALUMINIUM - 10 PCS

NOMINAL SIZE	COLOR	REF
M3	Gold	C-3107-30-0
M3	Green	C-3107-30-1
M3	Purple	C-3107-30-2
M3	Gun	C-3107-30-3
M3	Blue	C-3107-30-4
M3	Red	C-3107-30-5
M3	Black	C-3107-30-6
M4	Gold	C-3107-40-0
M4	Green	C-3107-40-1
M4	Purple	C-3107-40-2
M4	Gun	C-3107-40-3
M4	Blue	C-3107-40-4
M4	Red	C-3107-40-5
M4	Black	C-3107-40-6



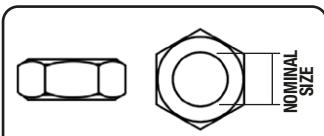
NYLSTOP NUT
STEEL - 10 PCS

NOMINAL SIZE	COLOR	REF
M2	Black	C-3101-20-6
M2.5	Silver	C-3101-25
M2.5	Black	C-3101-25-6
M3	Silver	C-3101-30
M3	Black	C-3101-30-6
M4	Silver	C-3101-40
M4	Black	C-3101-40-6



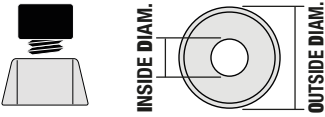
HEXAGON NUT
DIN 934 - STEEL - 10 PCS

NOMINAL SIZE	COLOR	REF
M2	Black	C-3103-20-6
M2.5	Black	C-3103-25-6
M3	Black	C-3103-30-6
M4	Black	C-3103-40-6
M5	Black	C-3103-50-6



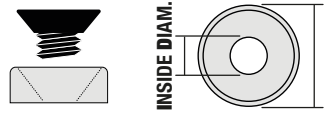
LOW PROFILE NUT
DIN 936 - STEEL - 10 PCS

NOMINAL SIZE	COLOR	REF
M4	Silver	C-3104-40
M5	Silver	C-3104-50



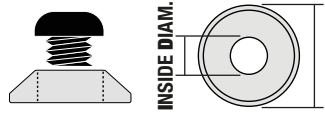
WASHER FOR SOCKET HEAD SCREW
ALUMINIUM - 10 PCS

FOR S/H SCREW	ID MM	OD MM	COLOR	REF
M3	3.2	8	Gold	C-3214-30-0
M3	3.2	8	Green	C-3214-30-1
M3	3.2	8	Purple	C-3214-30-2
M3	3.2	8	Gun	C-3214-30-3
M3	3.2	8	Blue	C-3214-30-4
M3	3.2	8	Red	C-3214-30-5
M3	3.2	8	Black	C-3214-30-6
M4	4.3	10	Gold	C-3214-40-0
M4	4.3	10	Green	C-3214-40-1
M4	4.3	10	Purple	C-3214-40-2
M4	4.3	10	Gun	C-3214-40-3
M4	4.3	10	Blue	C-3214-40-4
M4	4.3	10	Red	C-3214-40-5
M4	4.3	10	Black	C-3214-40-6

WASHER FOR FLAT HEAD SCREW
ALUMINIUM - 10 PCS

FOR F/H SCREW	ID MM	OD MM	COLOR	REF
M3	3.2	8	Gold	C-3213-30-0
M3	3.2	8	Green	C-3213-30-1
M3	3.2	8	Purple	C-3213-30-2
M3	3.2	8	Gun	C-3213-30-3
M3	3.2	8	Blue	C-3213-30-4
M3	3.2	8	Red	C-3213-30-5
M3	3.2	8	Black	C-3213-30-6
M4	4.3	10	Gold	C-3213-40-0
M4	4.3	10	Green	C-3213-40-1
M4	4.3	10	Purple	C-3213-40-2
M4	4.3	10	Gun	C-3213-40-3
M4	4.3	10	Blue	C-3213-40-4
M4	4.3	10	Red	C-3213-40-5
M4	4.3	10	Black	C-3213-40-6

WASHER FOR BUTTON HEAD SCREW
ALUMINIUM - 10 PCS

FOR B/H SCREW	ID MM	OD MM	COLOR	REF
M3	3.2	10	Gold	C-3211-30-0
M3	3.2	10	Green	C-3211-30-1
M3	3.2	10	Purple	C-3211-30-2
M3	3.2	10	Gun	C-3211-30-3
M3	3.2	10	Blue	C-3211-30-4
M3	3.2	10	Red	C-3211-30-5
M3	3.2	10	Black	C-3211-30-6
M4	4.3	12	Gold	C-3211-40-0
M4	4.3	12	Green	C-3211-40-1
M4	4.3	12	Purple	C-3211-40-2
M4	4.3	12	Gun	C-3211-40-3
M4	4.3	12	Blue	C-3211-40-4
M4	4.3	12	Red	C-3211-40-5
M4	4.3	12	Black	C-3211-40-6



CHEMICALS

TIRE ADDITIVES

All racers around the world still remember the outstanding Team Corally tire traction compounds TC-2, TC-5 etc. Well we made them even better, much better. The Team Corally TIRE JUICE has been developed in conjunction with World and European Champions to provide the highest level of grip with unprecedented levels of consistency from the start of the race to finish line. In formulating the TC TIRE JUICE careful consideration was given to extending the life of the tire and even though TC TIRE JUICE provides the traction champions require it also helps reduce tire wear.

Tous les pilotes du monde entier se souviennent encore des remarquables produits pour pneu TC-2, TC-5, ... de Team Corally. Le nouveau TIRE JUICE de Team Corally a été développé en collaboration avec des champions du monde et d'Europe pour offrir le plus haut niveau d'adhérence avec un niveau de performance sans précédent du début à la fin de la course. Lors de la formulation du TC TIRE JUICE, une attention particulière a été portée sur la durée de vie du pneu. Le TC TIRE JUICE fournit la traction dont les champions ont besoin en réduisant également l'usure du pneu.

Piloten over de hele wereld herinneren zich nog de uitstekende TC-2, TC-5, ... bandenproducten van Team Corally. De nieuwe Team Corally TIRE JUICE is ontwikkeld in samenwerking met wereld- en Europese kampioenen om het hoogste niveau van grip te bieden met een ongeëvenaard prestatieniveau van start tot finish. Bij de formulering van de TC TIRE JUICE werd bijzondere aandacht besteed aan de levensduur van de band. TC TIRE JUICE biedt de tractie die kampioenen nodig hebben en vermindert tegelijkertijd de bandenslijtage.

Alle Rennfahrer auf der ganzen Welt erinnern sich noch an die bemerkenswerten Reifenprodukte TC-2, TC-5, ... von Team Corally. Der neue TIRE JUICE von Team Corally wurde in Zusammenarbeit mit Welt- und Europameistern entwickelt, um vom Anfang bis zum Ende des Rennens ein Höchstmaß an Grip mit einer beispiellosen Leistung zu bieten. Bei der Formulierung des TC TIRE JUICE wurde ein besonderes Augenmerk auf die Lebensdauer des Reifens gelegt. Der TC TIRE JUICE bietet die Traktion, die die Champions benötigen, und verringert gleichzeitig den Reifenverschleiß.



Tire Juice 22
GREEN 100ml

C-13760 | Tire Juice 22

RUBBER - ASPHALT



Tire Juice 33
RED 100ml

C-13761 | Tire Juice 33

FOAM - ASPHALT



Tire Juice 44
YELLOW 100ml

C-13762 | Tire Juice 44

RUBBER - CARPET



Tire Juice 55
BLUE 100ml

C-13763 | Tire Juice 55

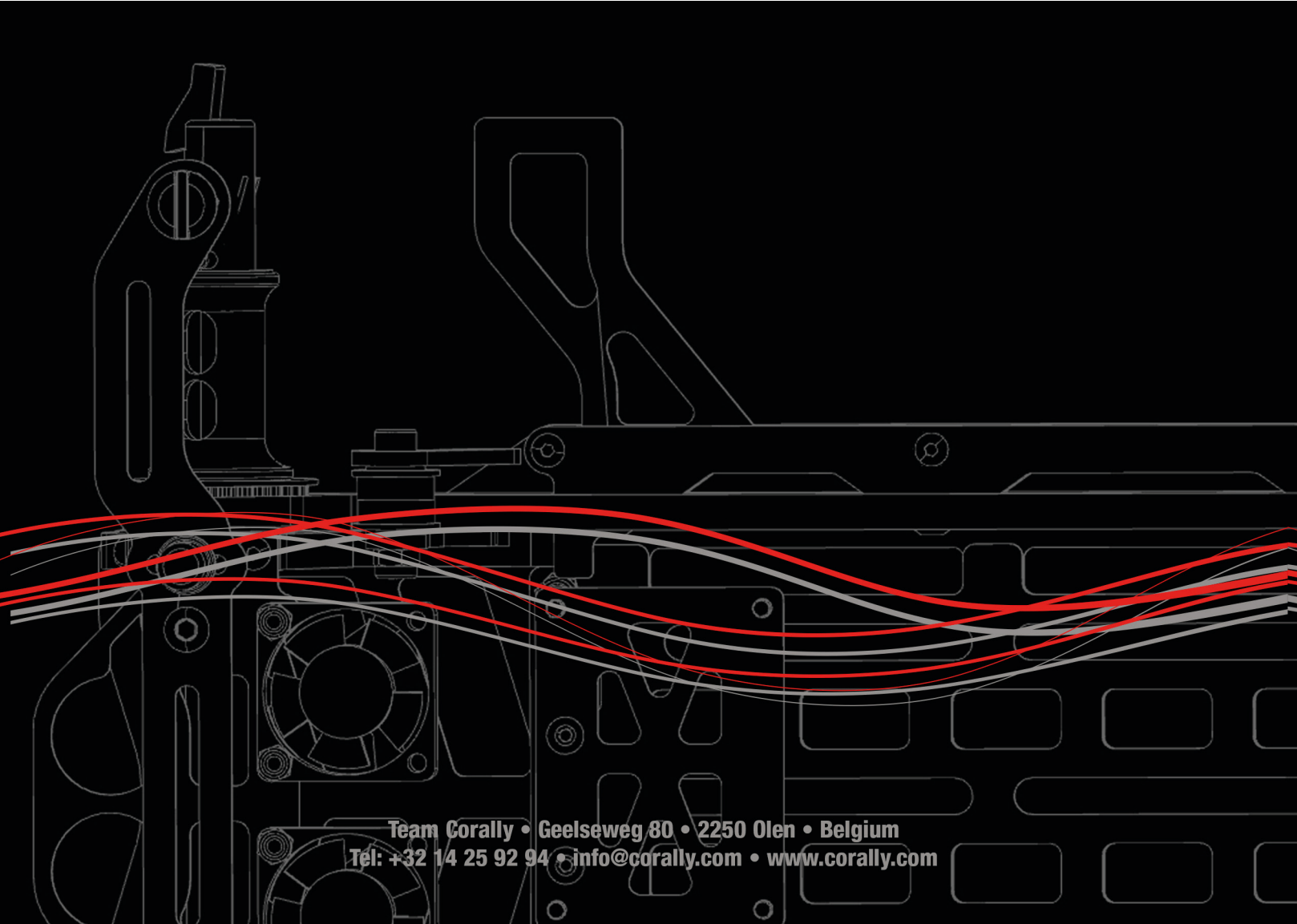
FOAM - CARPET





www.corally.com

This manual is an edition of Team Corally, Geelseweg 80, B-2250 OLEN (Belgium). This manual is protected by a copyright and nothing from this edition may be reproduced or used without any prior written authorisation. Whilst every effort has been made to ensure the accuracy of the information in this catalogue, errors do creep in and Team Corally can accept no responsibility for failures, wrong specifications, accuracy of colours, losses or damages caused. Team Corally denies any responsibility claims or damages caused by use of our products. Team Corally is not responsible for product changes or availability of our products. The products of dangerous nature included in this manual are submissive to special handling and storage specifications. Please check with your local authorities for existing legislation.



Team Corally • Geelseweg 80 • 2250 Olen • Belgium
Tel: +32 14 25 92 94 • info@corally.com • www.corally.com